

MOTAK

Three-section Reach-in Freezer

Model #: **MSD-3DF-BAL**

Product Details

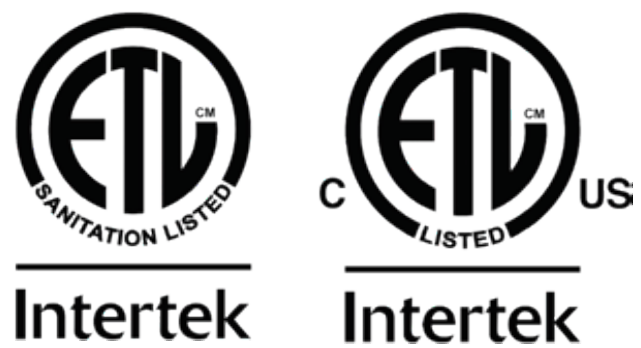
- Eco-friendly R290 refrigerant
- Stainless steel exterior, aluminum interior, and back
- Temperature range: -10°F to 0°F
- Self-closing doors with 90 degree stay-open feature & locks
- Adjustable, heavy-duty, coated shelves
- Electronic control system makes it easy to adjust temperature set point and defrost frequency
- Condenser coil is easy to access for cleaning and maintenance
- Factory-installed 4" swivel casters
- Safety-shielded incandescent interior lighting

Not suitable for installation in non-commercial or residential applications.

Warranty

2 years parts & labor and additional 3 years on compressor

Certifications

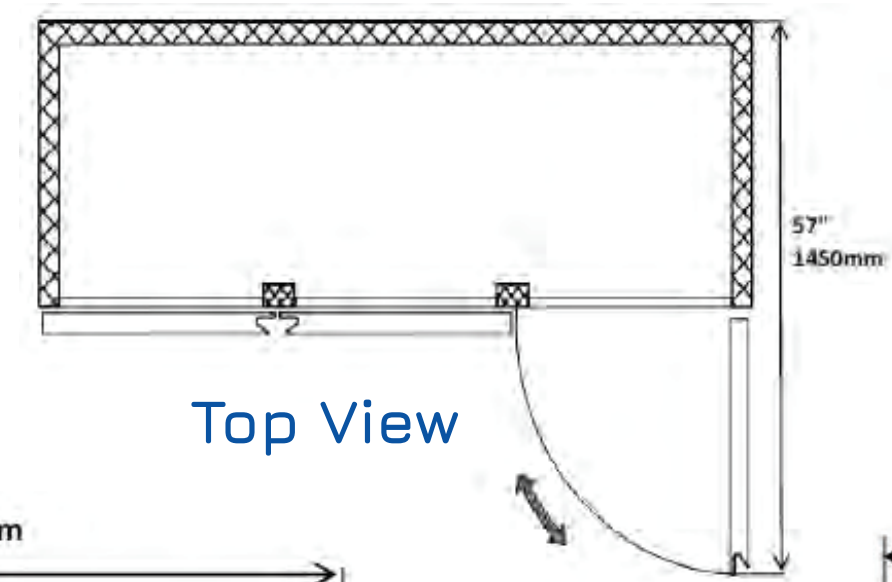


Specifications

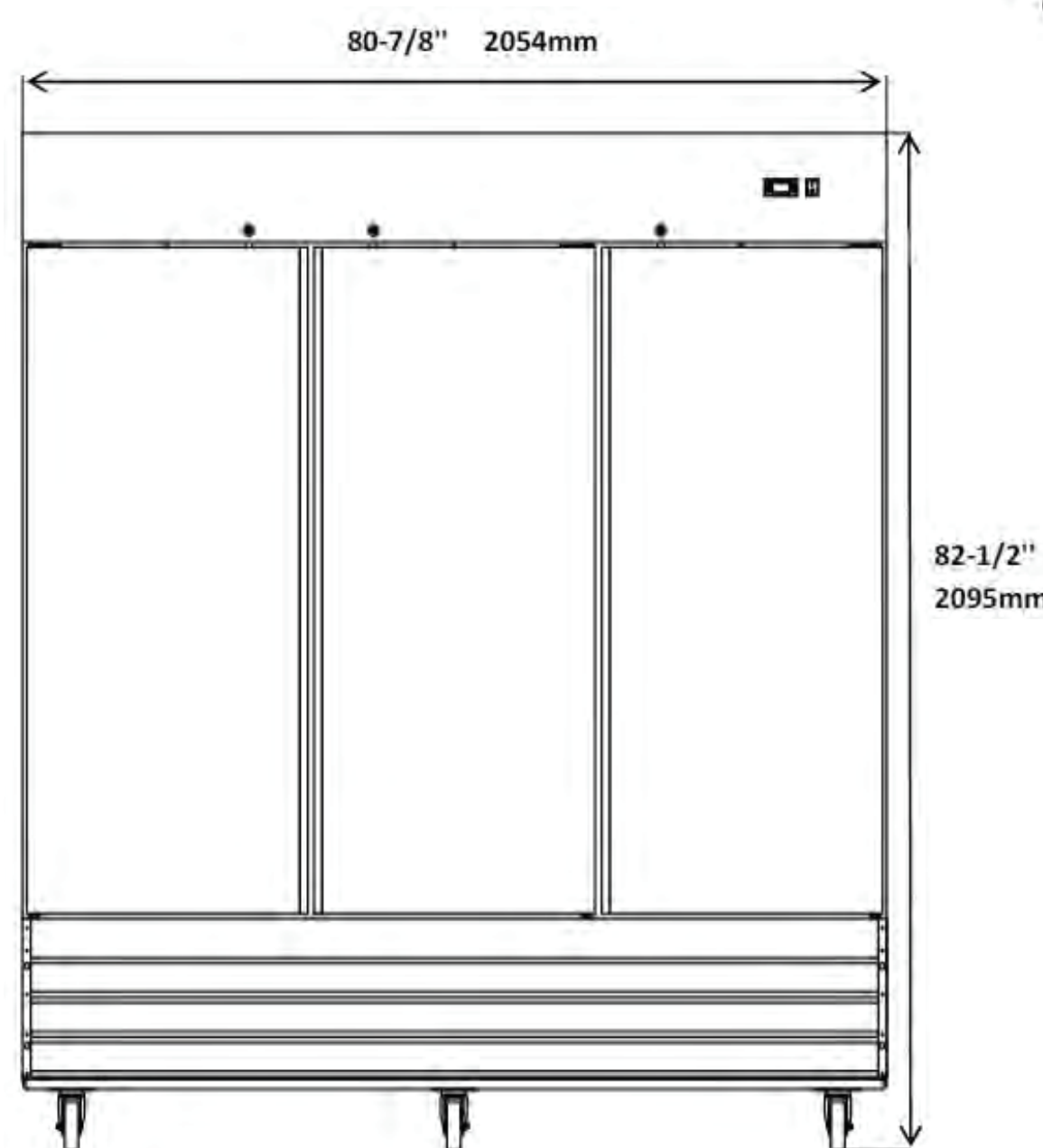
Model	Doors	Shelves	Cabinet Dims (in)			HP	Voltage	Amp	NEMA Plug	Cord Length (ft)	Crated Weight (lbs)
			Width	Depth	Height						
MSD-3DF-BAL-X	3	9	80.8"	32.25"	82.5"	1	115/60/1	13.3	5-20P	10 ft.	746 lbs.



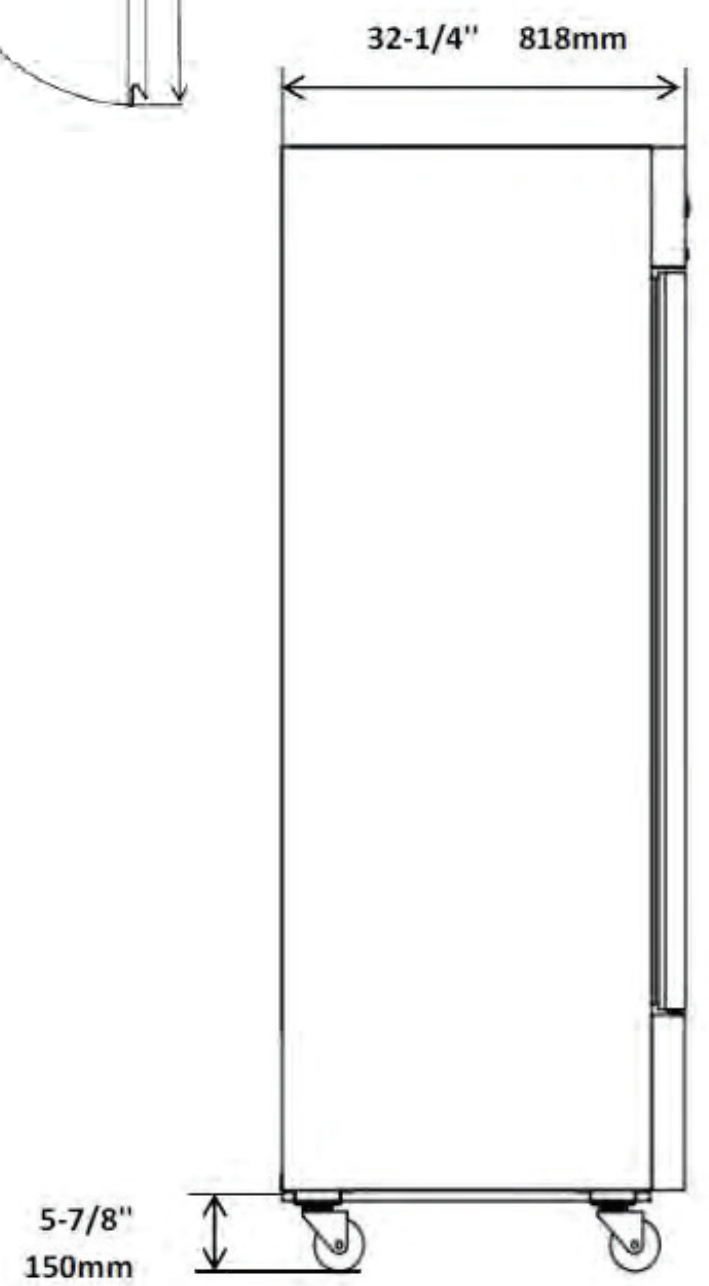
Plan View



Top View



Front View



Side View