

# PRESTIGE *Signature Series* Glass Rack Storage Units

**25" and 30" Wide Units**



Item #: \_\_\_\_\_ Qty #: \_\_\_\_\_  
 Model #: \_\_\_\_\_  
 Project #: \_\_\_\_\_



**Open Top - PROR Series**  
*PROR-24-24 Shown*



**Drainboard Top - PRCR Series**  
*PRCR-19-24 Shown*



**Slanted Top - PRSR Series**  
*PRSR-19-24 Shown*

**FEATURES:**

Open, drainboard or slanted top styles available.  
 Provides storage for up to 3 glass racks.  
 Adjustable glass rack slides.  
 Stainless steel legs with stainless steel bullet feet.  
 7" backsplash.

**PRCR series** includes removable perforated drainboard top.  
**30" wide units** have rear deck for extra storage.

**MECHANICAL:**

1" IPS drain on bottom  
 1" IPS drain on top (PRCR series only)

**MATERIAL:**

20 gauge, 300 stainless steel  
**Drainboard:** 18 gauge, 300 stainless steel (PRCR Series)  
**Shelf:** 18 gauge, 300 stainless steel (PROR & PRSR Series)  
**Legs:** 1 5/8" O.D. 18 gauge, stainless steel with 1" adjustable stainless steel bullet feet

**OPTIONAL:**

**SU-46** - Add stainless steel full extension roller slides  
**SU-47** - Add stainless steel drawer front (requires SU-46)

Model #	Storage Description	Glass Rack Capacity*	Overall Length	Overall Width (W)	Deck Size (A)	Approx. Weight	Approx. Cu. Ft.
PROR-19-24	Open Base	3	24"	25"	1 3/4"	50 lbs.	12
PROR-24-24	Open Base	3	24"	30"	6 3/4"	57 lbs.	12
PRCR-19-24	Enclosed Base	3	24"	25"	1 3/4"	80 lbs.	16
PRCR-24-24	Enclosed Base	3	24"	30"	6 3/4"	85 lbs.	17
PRSR-19-24	w/ Slanted Top	3	24"	25"	1 3/4"	50 lbs.	12
PRSR-24-24	w/ Slanted Top	3	24"	30"	6 3/4"	57 lbs.	12

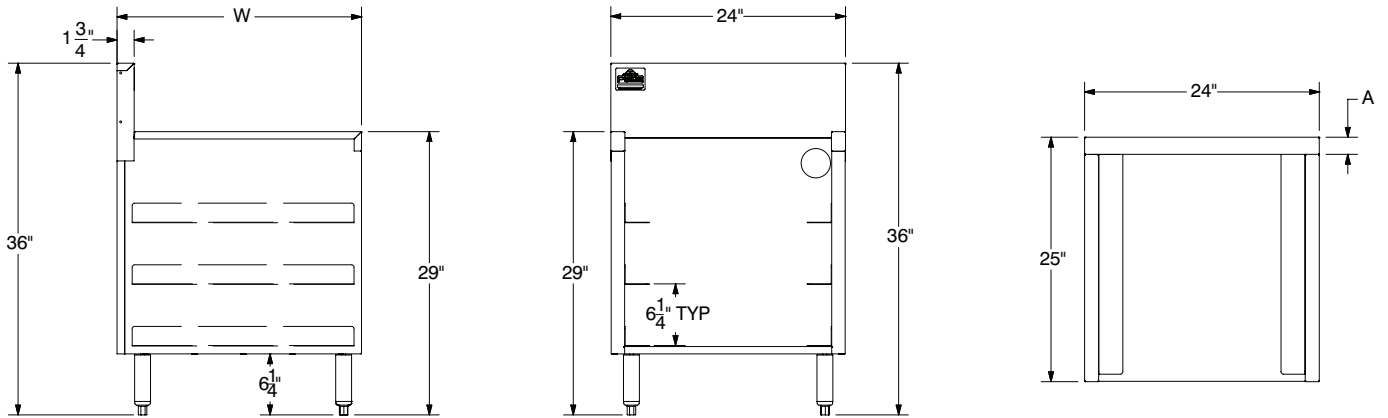
*\*Sizes Of Glass Racks Vary*

# DIMENSIONS and SPECIFICATIONS

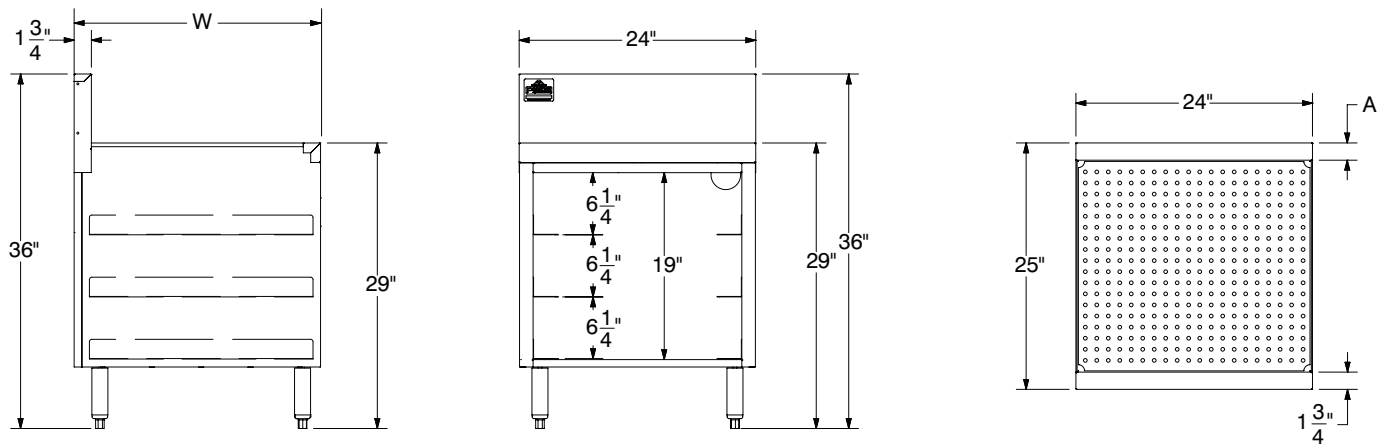
TOL Overall:  $\pm .500"$  Interior:  $\pm .250"$

ALL DIMENSIONS ARE TYPICAL

## PROR Series



## PRCR Series



## PRSR Series

