



STAINLESS STEEL

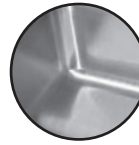
Bar Sinks

18" and 21" Wide Units - Deep Drawn Bowls



SLB Series
18" Wide Units With
Splash Mount Faucets

Featuring Deep Drawn
Seamless Bowls



CRB Series
21" Wide Units With
Deck Mount Faucets

Item #: _____ Qty #: _____
Model #: _____
Project #: _____

Conforms To NSF 61/9 Lead Free Requirements

FEATURES:

- One piece **Deep Drawn** sink bowls measuring 10" x 14" x 10".
- Embossed and seamless drainboards.
- 4" Backsplash.
- Galvanized legs with adjustable plastic bullet feet.
- Adjustable galvanized side cross-bracing.
- Molded apron for extra durability.
- CRB Series** has rear deck for extra storage

MECHANICAL:

- SLB Series***: Includes 4" O.C., splash mount swing spout faucet.
- CRB Series***: Includes 4" O.C., deck mount swing spout faucet.
- All faucets meet federal lead free standards.**
- Each sink bowl includes 9" high overflow pipe with 1 1/2" IPS drain.

MATERIAL:

- Sink Bowls and Drainboards:** 20 gauge, 300 stainless steel
- Front Apron and Backsplash:** 22 gauge, 300 stainless steel
- Sides:** 20 gauge, 430 stainless steel
- Understructure:** 22 gauge galvaneal front/back; 11 gauge electrogalvaneal leg channel
- Legs:** 1 5/8" O.D. 18 gauge, galvanized steel with adjustable plastic bullet feet

OPTIONAL:

- K-316-LU** - Add wrist handles
- SU-10A** - 18" Stainless steel legs with cross-bracing
- SU-18R or L** - Right or left side splash for 18" wide sinks
- SU-18RL** - Right and left side splash for 18" wide sinks
- SU-21R or L** - Right or left side splash for 21" wide sinks
- SU-21RL** - Right and left side splash for 21" wide sinks
- SU-40** - Prep unit for installation of speed rail
- SU-68** - Omit corrugation on drainboard

	18" WIDE				21" WIDE				O.A. Length	Drbd. Length	# of
	Model #	Faucet Length	Approx. Weight	Approx. Cu. Ft.	Model #	Faucet Length	Approx. Weight	Approx. Cu. Ft.	(A)	(B)	Drainboards
1 COMP.	SLB-31C	6"	51 lbs.	10	CRB-31C	6"	55 lbs.	13	36"	12"	2
	SLB-22C	6"	51 lbs.	8	CRB-22C	6"	54 lbs.	8	24"	N/A	N/A
2 COMP.	SLB-32LorR	6"	54 lbs.	10	CRB-32LorR	6"	57 lbs.	13	36"	9"	1
	SLB-42LorR	6"	63 lbs.	13	CRB-42LorR	6"	66 lbs.	15	48"	21"	1
	SLB-42C	6"	63 lbs.	13	CRB-42C	6"	66 lbs.	15	48"	12"	2
	SLB-33C	10"	62 lbs.	11	CRB-33C	12"	65 lbs.	13	36"	N/A	N/A
3 COMP.	SLB-43LorR	10"	65 lbs.	13	CRB-43LorR	12"	68 lbs.	15	48"	9"	1
	SLB-53C	10"	74 lbs.	16	CRB-53C	12"	76 lbs.	18	60"	12"	2
	SLB-63C	10"	82 lbs.	20	CRB-63C	12"	88 lbs.	22	72"	18"	2
	SLB-73C	10"	162 lbs.	23	CRB-73C	12"	170 lbs.	39	84"	24"	2
	SLB-83C	10"	183 lbs.	26	CRB-83C	12"	191 lbs.	44	96"	30"	2
	4 COMP.	SLB-64C*	6"	88 lbs.	20	CRB-64C*	6"	92 lbs.	22	72"	12"
SLB-74C*		6"	164 lbs.	23	CRB-74C*	6"	172 lbs.	39	84"	18"	2
SLB-84C*		6"	185 lbs.	26	CRB-84C*	6"	193 lbs.	44	96"	24"	2

*4 Comp. Bar Sinks Include Two 6" Swing Spout Faucets

L And R Indicate Sink Location.

WARNING: Equipment that include faucets on this page may contain a chemical known to the State of California to cause cancer, birth defects or other reproductive harm.



Customer Service Available To Assist You **1-800-645-3166** 8:30 am - 8:00 pm E.S.T.

For Orders & Customer Service:

Email: customer@advancetabco.com or Fax: 631-242-6900

For Smart Fabrication™ Quotes:

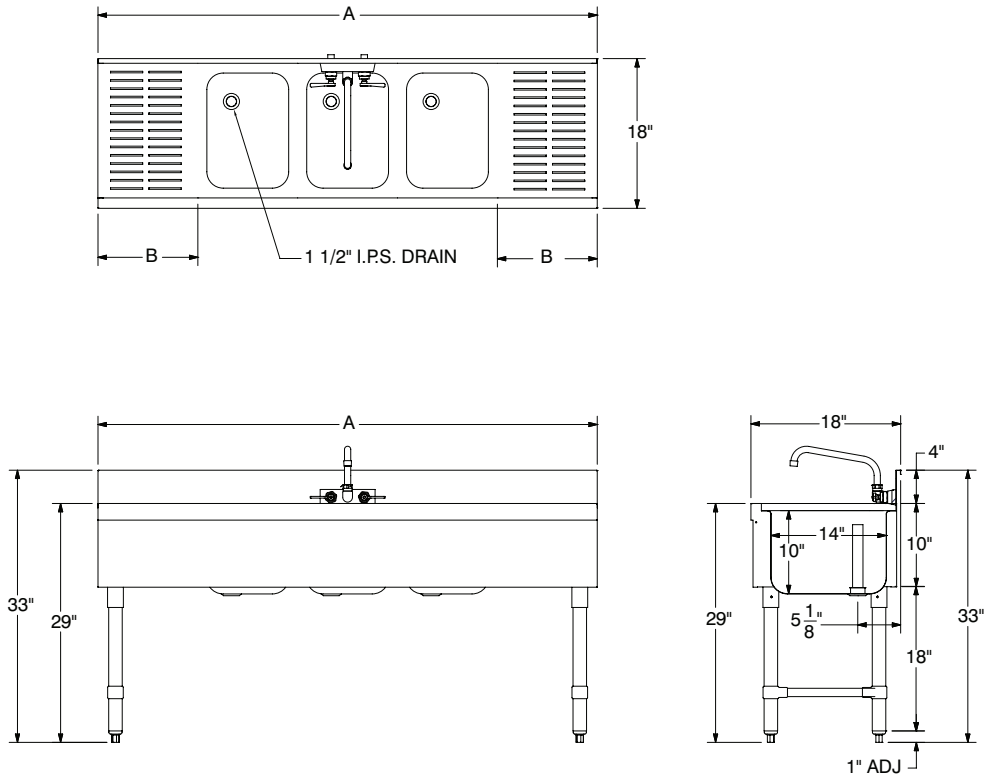
Email: smartfab@advancetabco.com or Fax: 631-586-2933

DIMENSIONS and SPECIFICATIONS

TOL Overall: $\pm .500"$ Interior: $\pm .250"$

ALL DIMENSIONS ARE TYPICAL

SLB Series



CRB Series

