

# BLACK◆DIAMOND®

## REFRIGERATION

Black Diamond's chest freezers are great for storing bulk food items in any foodservice establishment. Their white powder coated finish is durable and easy to clean. The thick insulated walls and eco-friendly refrigerant ensures that the freezers will always maintain ideal operating temperatures. Easy to use controller with indicator lights lets you know the status of the machine. The drain plug inside the units allows for easy cleaning. These models are ETL Listed and ETL Sanitation and are backed with a 1 year warranty on parts and labor.

### BDCF Series - Flat Top Chest Freezers

- ◆ Steel exterior with a durable white powder coating
- ◆ Embossed aluminum interior on the cabinet and lids
- ◆ Eco-friendly refrigerant ensures ideal operating temperatures
- ◆ Manual temperature controller with light up indicators
- ◆ Foamed-in-place polyurethane high density cell insulation throughout the entire cabinet
- ◆ Manual defrosting
- ◆ Includes wire coated basket for organization inside the unit
- ◆ Drain plug inside the unit allows for easy cleaning
- ◆ 1 year warranty on parts and labor

BDCF-5



BDCF-9R



BDCF-10R  
BDCF-13R  
BDCF-16/2R



BDCF-16/2R shown



Manual temperature controller with indicators

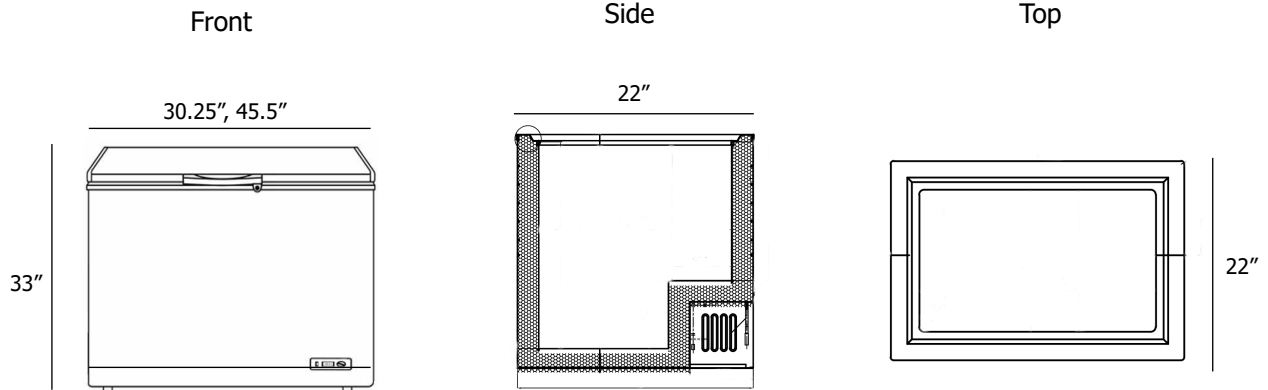


## Specifications

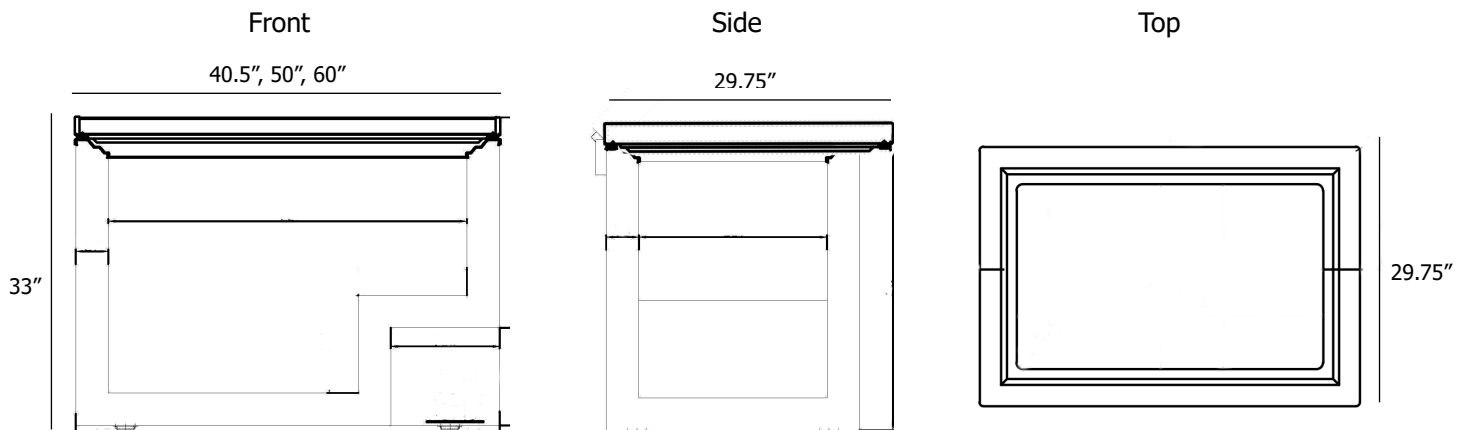
Model	Lids	Baskets	Capacity	Overall Dimensions HxWxD (inches)	Refrigerant	Voltage	Watts	Amps	Net Weight	Gross Weight
BDCF-5	1	1	5.4 cu. ft.	33" x 30.25" x 22"	R600a	115V	125W	0.92A	82 lbs	92 lbs
BDCF-9R	1	1	8.7 cu. ft.	33" x 45.5" x 22"	R600a	115V	140W	0.82A	114 lbs	127 lbs
BDCF-10R	1	1	9.6 cu. ft.	33" x 40.5" x 29.75"	R600a	115V	160W	0.71A	119 lbs	136 lbs
BDCF-13R	1	1	12.6 cu. ft.	33" x 50" x 29.75"	R600a	115V	170W	0.67A	134 lbs	152 lbs
BDCF-16/2R	2	1	15.9 cu. ft.	33" x 60" x 29.75"	R290	115V	180W	0.63A	163 lbs	185 lbs

## Plan Views

BDCF-5 and BDCF-9R



BDCF-10R, BDCF-13R and BDCF-16/2R



## Features

### Cooling System

- ◆ Refrigeration units use environmentally friendly refrigerant
- ◆ Maintain a temperature range of -4°-10°F
- ◆ Thick wall insulation helps to keep ideal temperature inside the cabinet

### Electrical Control

- ◆ Manual temperature controller with 0-7 number settings
- ◆ Power and operating light indicators to know when unit is on and running
- ◆ 7' power cord with NEMA 5-15 plug from the back of the unit
- ◆ 115V connection for all models



### Cabinet Construction

- ◆ Exterior is constructed of a steel with a durable white powder coating
- ◆ Interior is constructed of embossed aluminum
- ◆ The cabinet is insulated throughout with a foamed-in-place high density cell polyurethane insulation
- ◆ Drain plug located on the bottom of the cabinet allows for easy cleaning

### Lid(s)

- ◆ Exterior is constructed of a steel with a durable white powder coating
- ◆ Interior is constructed of embossed aluminum
- ◆ Hinged lid that opens 90° for easy access to stored items
- ◆ Integrated external handle on front

### Baskets

- ◆ Includes one plastic coated wire basket to help keep your stored items organized and merchandise inside the cabinet

### Model Features

- ◆ The bottom of the units all have built in casters for sliding in and out spaces for easier cleaning
- ◆ Extra baskets sold separately

### Warranty

- ◆ 1 year parts and labor