




2024 / US
PRODUCT GUIDE



RE-IMAGINE BEVERAGE EXCELLENCE EVERYWHERE

We design and manufacture innovative and energy-efficient beverage dispense solutions for the global hospitality, foodservice and specialty beverage industries.

We collaborate with our industry to re-imagine a sustainable future and create excellent beverage experiences everywhere.

CONTENTS

SUITABLE APPLICATIONS		1
<hr/>		
HOT, COLD, SPARKLING WATER	FRIIA	3
	Cold & Cold Hands-Free	4
	Cold/Sparkling	5
	Hot/Cold	6
	Hot/Cold/Sparkling	7
<hr/>		
COLD COFFEE /BEVERAGE DISPENSE	POUR'D 3b Concentrate	11
	ColdBRU	13
<hr/>		
HOT WATER	Undercounter Boilers & Fonts	14
	1b Una Font with MIX UC3/MIX UC8	15
	3b MIX Font with MIX UC3/MIX UC8	16
	Countertop Push Button	18
	MIX PB3, PB8	19
	Countertop Tap	20
	MT4, MT8, MT25	21
<hr/>		
COFFEE	Jet, Jet Twin, Jet Grinder	23
	SP9 Single, SP9 Twin	24
<hr/>		
CONTACT DETAILS		25
<hr/>		

SUITABLE APPLICATIONS



CAFE



HOTEL



OFFICE



C-STORE



RESTAURANTS
/QSR



TRANSPORT/
INSTITUTIONS

HOT, COLD, SPARKLING, WATER



FRIIA RANGE



HOTELS



OFFICES



TRANSPORT



INSTITUTIONS

> Cold and/or sparkling:
7.9-11.8 GALS/hr

> External CO₂ required
> Aluminium block cooling technology

FRIIA C

C HANDS-FREE COLD



Hands-free
Font
1000857

1b Font 1000859
1b Font Tall 1000858

FRIIA CS

COLD/SPARKLING



2b Font 1000868
2b Font Tall 1000869

FRIIA HC

HOT/COLD



2b Font
1000868

FRIIA HCS

HOT/COLD/SPARKLING



3b Font
1000862



CHILLER
1001860US



CHILLER/CARBONATOR
1001861US



CHILLER
1001860US



CHILLER/CARBONATOR
1001861US

OR



MIX UC3
110v - 1001880
220v - 1000880US



MIX UC8
220v - 1000887US

FRIIA C & FRIIA C HANDS-FREE

A stylish, flexible undercounter cold water system for hotels, cafes, or offices.

- > Two font heights available
- > 7.9-11.8 GALs/hr



COMPLETE BUNDLE ORDER CODE



FRIIA C	5001860US
FRIIA C Tall	5001863US
FRIIA C Hands-free Tall	5000857US

1B UNA FONT 1000859



1B UNA FONT TALL 1000858



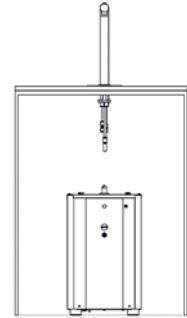
FRIIA C HANDS FREE TALL 1000857



CHILLER 1001860US



SYSTEM SET-UP



CHILLER SPECS

PRODUCT INFO	SIZE	PERFORMANCE SPECS			PLUMBING, ELECTRICAL AND TECHNICAL SPECS			
NAME ORDER CODE	DIMENSIONS (D X W X H inches)	GAL/HR	CUPS /HR	POWER @110v	PLUMBING REQS	COMPRESSOR POWER	CHARGE	REFRIGERANT
Chiller 1001860US	17.1 x 10.2 x 17.9	7.9-11.8 GALs/hr based on incoming water temp of 59°F and output water temp of 41-44°F	175-235 ($\Delta T = 18^\circ F$)	180 W	3/8" Compression or 3/8" John Guest	1/8hp	45g	R290

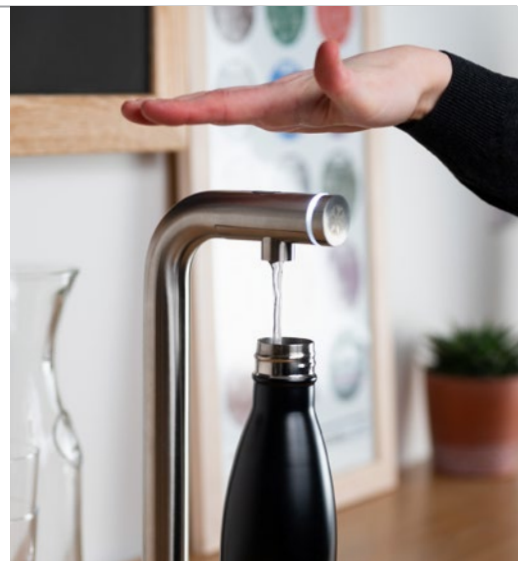
A minimum operating pressure of >3 bar or 28 psi downstream of filter is required for optimum output l/min.

FONT SPECS

NAME ORDER CODE	DIMENSIONS INC. DRIP TRAY (D X W X H inches)	DIMENSIONS EXCL. DRIP TRAY (D X W X H inches)	TAP TO COUNTER (inches)
1b Una Font 1000859	6.6 x 4.7 x 11.2	5.4 x 1.1 x 11.2	9.1
1b Una Font Tall 1000858	6.6 x 4.7 x 13.5	5.4 x 1.1 x 13.5	11.4
FRIIA C Hands-free Font 1000857			12

PACKAGING

NAME	PACKAGING DIMENSIONS (L X W X H inches)	WEIGHT
Fonts (all)	11.4 x 22.4 x 8.4	4.4lbs
Chiller	19.2 x 11.8 x 20.2	69.4lbs



PLEASE NOTE

FRIIA components (font and chiller) are packed and shipped in individual boxes.

FRIIA CS

A stylish, flexible undercounter cold/sparkling water system for hotels, cafes, or offices.

> Two font heights available > 7.9-11.8 GALS/hr



**COMPLETE BUNDLE
ORDER CODE**

FRIIA CS 5001862US
FRIIA CS Tall 5001865US

2B FONT 1000868



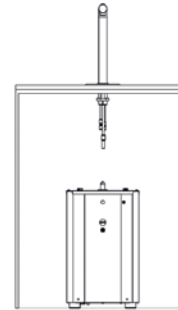
2B FONT TALL 1000869



CHILLER/ CARBONATOR 1001861US



SYSTEM SET-UP



CHILLER/CARBONATOR SPECS

PRODUCT INFO		SIZE	PERFORMANCE SPECS		PLUMBING, ELECTRICAL AND TECHNICAL SPECS				
NAME ORDER CODE	DIMENSIONS (D X W X H inches)		GAL/HR	CUPS /HR	POWER @110V	PLUMBING REQS	COMPRESSOR POWER	CHARGE	REFRIGERANT
Chiller/ Carbonator 1001861US	17.1 x 10.2 x 17.9		7.9-11.8 GALS/hr based on incoming water temp of 59°F and output water temp of 41-44°F	175-235 ($\Delta T = 18^\circ F$)	180 W	3/8" Compression or 3/8" John Guest	1/8hp	45g	R290

A minimum operating pressure of >3 bar or 28 psi downstream of filter is required for optimum output l/min.

FONT SPECS

NAME ORDER CODE	DIMENSIONS INC. DRIP TRAY (D X W X H inches)	DIMENSIONS EXCL. DRIP TRAY (D X W X H inches)	TAP TO COUNTER (inches)
2b Font 1000868	6.6 x 4.7 x 11.2	5.4 x 1.1 x 11.2	9.7
2b Font Tall 1000869	6.6 x 4.7 x 13.6	5.4 x 1.1 x 13.6	11.8

PACKAGING

NAME	PACKAGING DIMENSIONS (L X W X H inches)	WEIGHT
Fonts (all)	11.4 x 22.4 x 8.4	4.4lbs
Chiller/Carbonator	19.2 x 11.8 x 20.2	69.4lbs

PLEASE NOTE

FRIIA components (font and chiller) are packed and shipped in individual boxes.



FRIIA HC

A stylish, flexible undercounter hot/cold water system for hotels, cafes, or offices.

> 0.8 or 2.1 GAL boiler option



COMPLETE BUNDLE ORDER CODE

FRIIA HC 220v	5002864US
FRIIA HC 110v	1001864US
FRIIA HC Plus	5002866US

2B FONT 1000868



CHILLER 1001860US



MIX UC3 110v - 1001880 220v - 1000880US

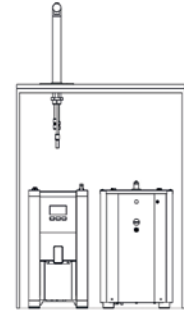


OR

MIX UC8 1000887US



SYSTEM SET-UP



CHILLER SPECS

PRODUCT INFO	SIZE	PERFORMANCE SPECS		PLUMBING, ELECTRICAL AND TECHNICAL SPECS				
NAME ORDER CODE	DIMENSIONS (D X W X H inches)	GAL/HR	CUPS /HR	POWER @110v	PLUMBING REQS	COMPRESSOR POWER	CHARGE	REFRIGERANT
Chiller 1001860US	17.1 x 10.2 x 17.9	7.9-11.8 GALS/hr based on incoming water temp of 59°F and output water temp of 41-44°F	175-235 (ΔT = 18 °F)	180 W	3/8" Compression or 3/8" John Guest	1/8hp	45g	R290

A minimum operating pressure of >3 bar or 28 psi downstream of filter is required for optimum output l/min.

BOILER SPECS

PRODUCT INFO	SIZE	PERFORMANCE SPECS			PLUMBING & ELECTRICAL REQ		
NAME ORDER CODE	DIMENSIONS (D X W X H inches)	IMMEDIATE DRAW OFF	GAL/HR	CUPS/HR	POWER	NEMA	PLUMBING REQS
MIX UC3 - 110v 1001880	15.1 x 8.2 x 17.4	0.8 GAL	3.6 GAL	75	1.4kW @ 110v	5-15p	3/8" Compression or 3/8" John Guest
MIX UC3 - 220v 1000880US			7.3 GAL	156	2.8kW @ 220v	L6-20P	
MIX UC8 - 220v 1000887US	15.1 x 8.2 x 24.2	2.1 GAL					

FONT SPECS

NAME ORDER CODE	DIMENSIONS INC. DRIP TRAY (D X W X H inches)	DIMENSIONS EXCL. DRIP TRAY (D X W X H inches)	TAP TO COUNTER (inches)
2b Font 1000868	6.6 x 4.7 x 11.2	5.4 x 1.1 x 11.2	9.7

PACKAGING

NAME	PACKAGING DIMENSIONS (L X W X H inches)	WEIGHT
Font	11.4 x 22.4 x 8.4	4.4lbs
Chiller	19.2 x 11.8 x 20.2	69.4lbs
MIX UC3 - 220v/110v	17.7 x 11.4 x 21.2	25lbs
MIX UC8 - 220v	17.7 x 11.4 x 27.5	30.8lbs

PLEASE NOTE

FRIIA components (font, boiler and chiller) are packed and shipped in individual boxes.

FRIIA HCS

A stylish, flexible undercounter water range for hotels, cafes, or offices.

> 0.8 or 2.1 GAL boiler option



COMPLETE BUNDLE ORDER CODE

FRIIA HCS 220v	5002865US
FRIIA HCS 110v	1001865US
FRIIA HCS Plus	5002867US

3B FONT 1000862



CHILLER/ CARBONATOR 1001861US



MIX UC3 110v - 1001880 220v - 1000880US

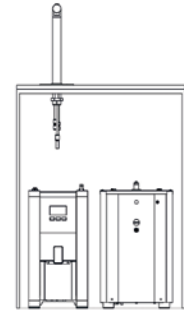


OR

MIX UC8 1000887US



SYSTEM SET-UP



CHILLER/CARBONATOR SPECS

PRODUCT INFO		SIZE	PERFORMANCE SPECS		PLUMBING, ELECTRICAL AND TECHNICAL SPECS				
NAME ORDER CODE	DIMENSIONS (D X W X H inches)		GAL/HR	CUPS /HR	POWER @110V	PLUMBING REQS	COMPRESSOR POWER	CHARGE	REFRIGERANT
Chiller/ Carbonator 1001861US	17.1 x 10.2 x 17.9		7.9-11.8 GALS/hr based on incoming water temp of 59°F and output water temp of 41-44°F	175-235 ($\Delta T = 18^\circ F$)	180 W	3/8" Compression or 3/8" John Guest	1/8hp	45g	R290

A minimum operating pressure of >3 bar or 28 psi downstream of filter is required for optimum output l/min.

BOILER SPECS

PRODUCT INFO		SIZE	PERFORMANCE SPECS			PLUMBING & ELECTRICAL REQ		
NAME ORDER CODE	DIMENSIONS (D X W X H inches)		IMMEDIATE DRAW OFF	GAL/HR	CUPS/HR	POWER	NEMA	PLUMBING REQS
MIX UC3 - 110v 1001880	15.1 x 8.2 x 17.4	0.8 GAL		3.6 GAL	75	1.4kW @ 110v	5-15p	3/8" Compression or 3/8" John Guest
MIX UC3 - 220v 1000880US				7.3 GAL	156	2.8kW @ 220v	L6-20P	
MIX UC8 - 220v 1000887US	15.1 x 8.2 x 24.2	2.1 GAL						

FONT SPECS

NAME ORDER CODE	DIMENSIONS INC. DRIP TRAY (D X W X H inches)	DIMENSIONS EXCL. DRIP TRAY (D X W X H inches)	TAP TO COUNTER (inches)
3b Font 1000862	6.6 x 4.7 x 11.2	5.4 x 1.1 x 11.2	9.7

PACKAGING

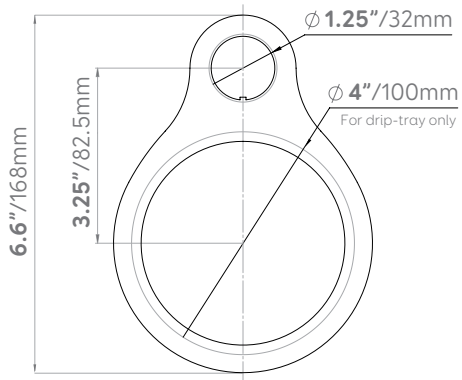
NAME	PACKAGING DIMENSIONS (L X W X H inches)	WEIGHT
Font	11.4 x 22.4 x 8.4	4.4lbs
Chiller/ Carbonator	19.2 x 11.8 x 20.2	69.4lbs
MIX UC3 - 220v/110v	17.7 x 11.4 x 21.2	25lbs
MIX UC8 - 220v	17.7 x 11.4 x 27.5	30.8lbs

PLEASE NOTE

FRIIA components (font, boiler and chiller) are packed and shipped in individual boxes.

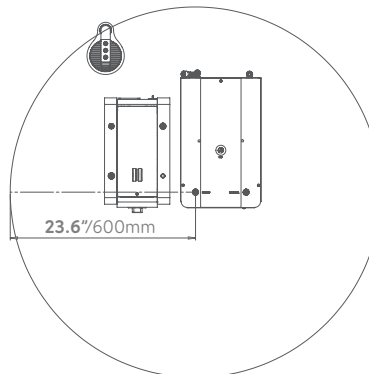
FRIIA SYSTEM OVERVIEW

COUNTER CUT-OUTS



RADIUS OF MAXIMUM FRONT PLACEMENT

Standard 31.5" high cabinet



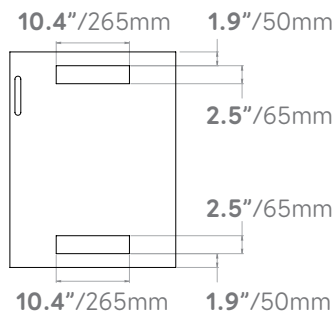
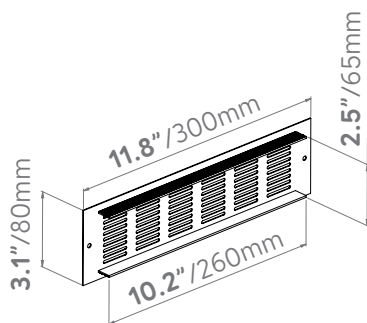
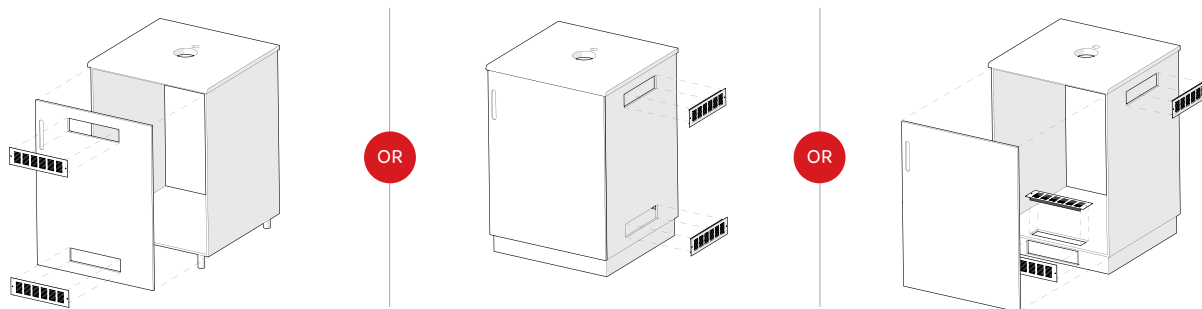
CABINET

Min: 31.5" (h) x 23.6" (w) x 23.6" (d) with 3.9" clearance around machines all sides

OPERATING ENVIRONMENT

Cannot exceed temperature of 95°F

VENTILATION



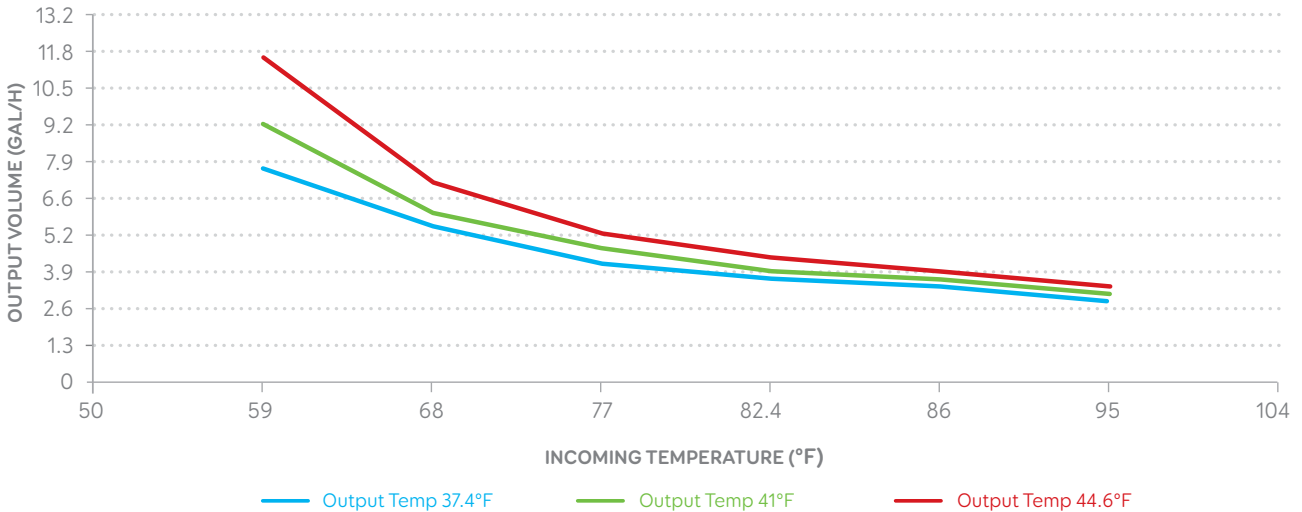
PLEASE NOTE

It is essential to allow for two ventilation points when installing FRIIA. Vents are not supplied. Where possible, we recommend removing the back of your cabinet.

FRIIA PERFORMANCE & MAINTENANCE

FRIIA OUTPUT VOLUME

Based on flow rate of 0.3 GAL/min and ambient temperature of 68-77°F. Chart indicates FRIIA chilling capacity based on incoming water temperature and desired output water temperature.




HOW TO CLEAN FRIIA

- > Wipe down front daily with non-abrasive cleaner.
- > Sanitize the chiller every 6 months, after a filter change or after a period of inactivity (more than 72 hours). Visit our YouTube channel for further instruction.

MAINTENANCE

- > FRIIA requires use of both a HOT (scale reducing filter if limescale is present) and COLD (carbon block for taste and odour) water filters for FRIIA. Please contact us for advice on the best water filter.
- > Descale the MIX boiler if scale is present in the water.



COLD COFFEE
/BEVERAGE
DISPENSE

POUR'D

Total beverage choice, on tap

- > POUR'D can be used to dispense beverages from any concentrate or syrup source.

**COMPLETE BUNDLE
ORDER CODE**

POUR'D Concentrate 3b
110v - 5001940C3B



FONT



CONTROL BOX



OPTIONAL

BOILER

MIX UC3 - 220v / 110v



- > To dilute with hot water
- > To add separate hot water

CHILLER / CARBONATOR


FRIIA




- > To dilute with either chilled or sparkling water
- > To add separate chilled or sparkling water

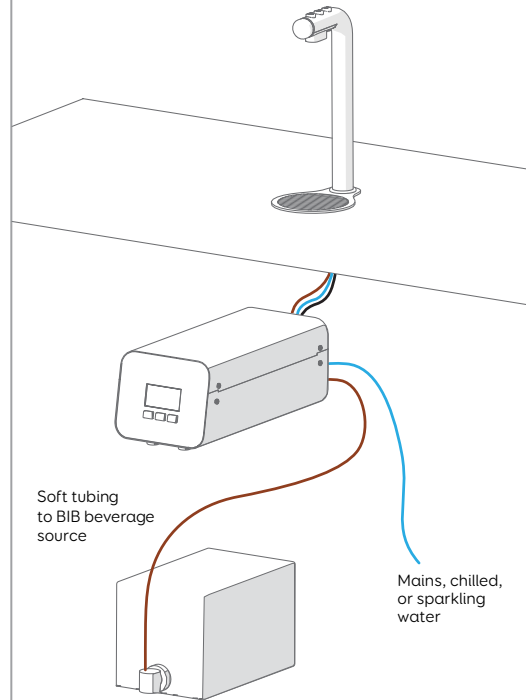


RECOMMENDED DILUTION RATIOS

 5:1
Hot

 1:1 - 30:1
Cold/Sparkling

POUR'D SET-UP



GOOD TO KNOW

POUR'D can be used with:
Concentrates & Syrups with
Max Viscosity of 700 CPS

Minimum 4ml concentrate
to 125ml final beverage

POUR'D SPECS

	OPTIONAL				
	FONT	CONTROL BOX	BOILER		CHILLER / CARBONATOR
	3B POUR'D FONT 1000942	POUR'D Control Box 1001944US	MIX UC3 220v - 1000880US	MIX UC3 110v - 1001880	FRIIA 1001860US / 1001861US
Dimensions (D x W x H inches)	6.6 x 4.9 x 11.8 (Incl. drip tray)	14.2 x 5.5 x 6.9 (width not including tubing)	15.1 x 8.2 x 17.4		17.1 x 10.2 x 17.9
Power	—	40W, 0.17A @ 110V	2.8kW @ 220v	1.4kW @ 110v	180W @110v
Plumbing	—	3/8" Compression or 3/8" push fit	3/8" Compression or 3/8" John Guest		3/8" Compression or 3/8" John Guest
NEMA	—	5-15p	L6-20P	5-15p	5-15p
GAL/HR	—	33.3	7.3	3.6	7.9-11.8 GALS/hr based on incoming water temp of 59°F and output water temp of 41-44°F
Performance Specs	—	Dilution Range: 1:1 - 30:1	Immediate Draw Off: 0.8 GAL		Cups/HR: 175-235 (ΔT = 18 °F)
Compressor Power	—	—	—	—	1/8hp
Charge	—	—	—	—	45g
Refrigerant	—	—	—	—	R290

PACKAGING

ITEM	PACKAGING DIMENSIONS (L x W x H inches)	WEIGHT	QTY / PALLET
Font	11.4 x 22.4 x 8.4	4.4lb	54
Control Box	16.5 x 10.2 x 13	12.4lb	48/36 (sea/air freight)
MIX UC3 - 220v/110v	17.7 x 11.4 x 21.2	25lbs	24
FRIIA Chiller/Carbonator	19.2 x 11.8 x 20.2	69.4lbs	5

POUR'D CAN DILUTE/DISPENSE:

Non-Dairy Milks	✓	Dairy Milk	✗
Syrups	✓	Thick Syrup/Molasses (>700 CPS)	✗
Concentrates	✓	Kombucha	✗
Juice (no pulp, <700 CPS)	✓	Powder	✗
RTD Cold Drinks	✓	RTD Hot Drinks	✗

COLDBRU

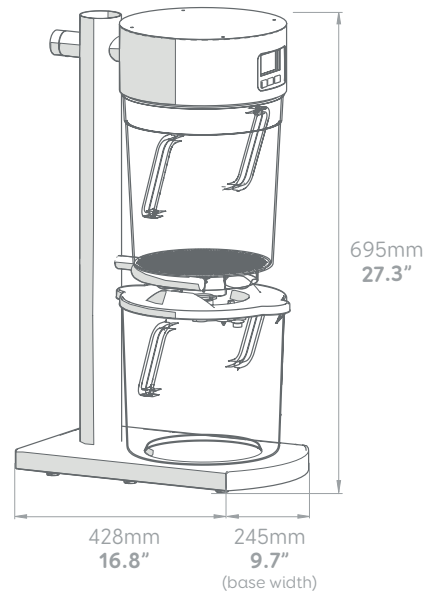
The quickest, easiest, most consistent way to brew ready to drink or concentrate coffee.

- > Average 19% extraction and 4% TDS (up to 30% better yield than leading competitor)
- > Easy to clean with no paper filters
- > Average brew time of 3 hours
- > Input and save up to 3 recipes for ease and consistency

COLDBRU 1001950US



DIMENSIONS



SPECS

NAME ORDER CODE	DIMENSIONS INCL. HANDLES (D x W x H inches)	PLUMBING REQS	POWER REQS	WEIGHT
ColdBRU 1001950US	16.8 x 12.7 x 27.3	1/4" Pushfit	120V 50/60Hz	21.7lbs

PACKAGING

NAME ORDER CODE	PACKAGING DIMENSIONS (D x W x H inches)	PACKED WEIGHT	QTY / PALLET
ColdBRU 1001950US	19.3 x 15.7 x 35.4	26.8lbs	6

HOT WATER

UNDERCOUNTER BOILERS



MIX UNDERCOUNTER HOT WATER WITH UNA FONT

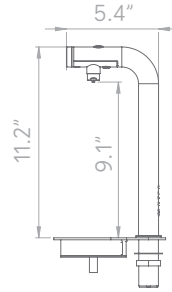
> Space-saving countertop font

> Vacuum insulated tank for up to 70% more energy-efficiency

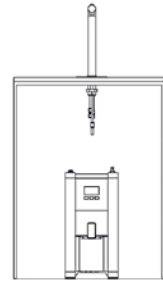
1B UNA FONT 1000859



DIMENSIONS



SYSTEM SET-UP



MIX UC3 - 220v / 110v 1000880US / 1001880



MIX UC8 - 220v 1000887US



OR

FONT SPECS

NAME ORDER CODE	DIMENSIONS INCL. DRIP TRAY (D x W x H inches)	DIMENSIONS EXCL. DRIP TRAY (D x W x H inches)	TAP TO COUNTER (T inches)
1b Una Font 1000859	6.6 x 4.7 x 11.2	5.4 x 1.1 x 11.2	9.1

BOILER SPECS

PRODUCT INFO	WATER TYPE	SIZE DIMENSIONS	PERFORMANCE SPECS			PLUMBING & ELECTRICAL REQS		
NAME ORDER CODE	ADJUSTABLE TEMP	DIMENSIONS (D x W x H inches)	IMMEDIATE DRAW OFF	GAL /HR	CUPS /HR	POWER	NEMA	PLUMBING REQS
MIX UC3 - 110v 1001880	Y	15.1 x 8.2 x 17.4	0.8 GAL	3.6 GAL	75	1.4kW @ 110v	5-15p	3/8" Compression or 3/8" John Guest
MIX UC3 - 220v 1000880US				7.3 GAL	156	2.8kW @ 220v	L6-20P	
MIX UC8 - 220v 1000887US		15.1 x 8.2 x 24.2	2.1 GAL					

PACKAGING

NAME ORDER CODE	PACKAGING DIMENSIONS (L x W x H inches)	PACKED WEIGHT	QTY / PALLET
1b Una Font 1000859	11.4 x 22.4 x 8.4	4.4lbs	30
MIX UC3 - 220v / 110v 1000880US / 1001880	17.7 x 11.4 x 21.2	25lbs	24
MIX UC8 - 220v 1000887US	17.7 x 11.4 x 27.5	30.8lbs	18

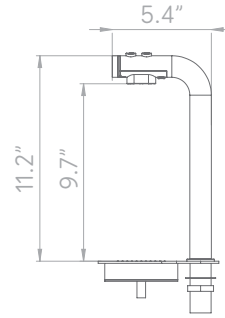
MIX UNDERCOUNTER HOT WATER WITH 3B FONT

- > Space-saving countertop font
- > Vacuum insulated tank for up to 70% more energy-efficiency
- > Dispense three volumes and three temperatures from one boiler

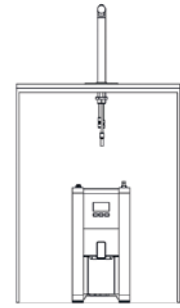
3B MIX FONT 1000879



DIMENSIONS



SYSTEM SET-UP



MIX UC3 - 220v / 110v 1000880US / 1001880



OR

MIX UC8 - 220v 1000887US



FONT SPECS

NAME ORDER CODE	DIMENSIONS INCL. DRIP TRAY (D x W x H inches)	DIMENSIONS EXCL. DRIP TRAY (D x W x H inches)	TAP TO COUNTER (T inches)
3b MIX Font 1000879	6.6 x 4.7 x 11.2	5.4 x 1.1 x 11.2	9.7

BOILER SPECS

PRODUCT INFO NAME ORDER CODE	WATER TYPE ADJUSTABLE TEMP	SIZE DIMENSIONS DIMENSIONS (D x W x H inches)	PERFORMANCE SPECS			PLUMBING & ELECTRICAL REQ		
			IMMEDIATE DRAW OFF	GAL /HR	CUPS /HR	POWER	NEMA	PLUMBING REQS
MIX UC3 - 110v 1001880	Y	15.1 x 8.2 x 17.4	0.8 GAL	3.6 GAL	75	1.4kW @ 110v	5-15p	3/8" Compression or 3/8" John Guest
MIX UC3 - 220v 1000880US				7.3 GAL	156	2.8kW @ 220v	L6-20P	
MIX UC8 - 220v 1000887US		15.1 x 8.2 x 24.2	2.1 GAL					

PACKAGING

NAME ORDER CODE	PACKAGING DIMENSIONS (L x W x H inches)	PACKED WEIGHT	QTY / PALLET
3b MIX Font 1000879	11.4 x 22.4 x 8.4	4.4lbs	30
MIX UC3 - 220v / 110v 1000880US / 1001880	17.7 x 11.4 x 21.2	25lbs	24
MIX UC8 - 220v 1000887US	17.7 x 11.4 x 27.5	30.8lbs	18



HOT WATER

COUNTERTOP PUSH BUTTON



MIX COUNTERTOP HOT WATER - PUSH BUTTON

Programmable for on-demand and accurate water delivery in three separate temperatures and volumes.

- > 0.8 or 2.1 gallon options
- > Up to 70% more energy-efficient
- > Removable drip tray
- > 7.5 gallons output per hour
- > 156 cups per hour

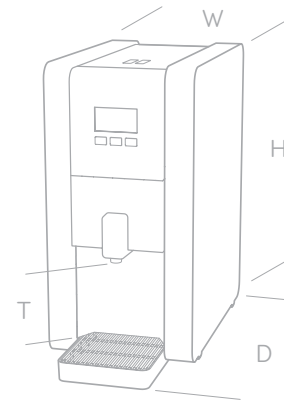
MIX PB3 - 220v / 110v
1001870US / 1000870US



MIX PB8
1000875US



DIMENSIONS



SEE TABLE FOR
PRODUCT DIMENSIONS

SPECS

NAME ORDER CODE	POWER	IMMEDIATE DRAW OFF	DIMENSIONS (D x W x H inches)	TAP TO COUNTER (T inches)	CUPS / HR	NEMA	PLUMBING REQS
MIX PB3 - 110v 1001870US	1.4kW @ 110v	0.8 GAL	17 x 8.2 x 16.5	5	75	5-15p	3/8" Compression or 3/8" John Guest
MIX PB3 - 220v 1000870US	2.8kW @ 230V				2.1 GAL	17 x 8.2 x 23.3	
MIX PB8 - 220v 1000875US							

PACKAGING

NAME ORDER CODE	PACKED WEIGHT	PACKAGING DIMENSIONS (L x W x H inches)	QTY / PALLET
MIX PB3 - 110v 1001870US	25lb	17.7 x 11.4 x 21.2	24
MIX PB3 - 220v 1000870US			
MIX PB8 - 220v 1000875US	30.8lb	17.7 x 11.4 x 27.5	18

HOT WATER COUNTERTOP TAP



MT COUNTERTOP HOT WATER

Energy-efficient & reliable countertop water boilers with sleek LED temperature display.

- > Insulated tank for minimal energy-loss
- > 1, 2 or 6.6 GAL options
- > LED temperature display
- > Removeable drip tray

MT4 - 220v / 110v
1000762US / 1001762US



MT8 - 220v / 110v
1000763US / 1001763US



MT25 - 220v / 110v
1000765US / 1001765US



SPECS

NAME ORDER CODE	DIMENSIONS (D x W x H inches)	TAP TO DRIP TRAY (T inches)	TAP TO COUNTER (C inches)	IMMEDIATE DRAW OFF	GAL /HR	CUPS /HR	POWER REQS	NEMA	PLUMBING REQS
MT4 - 110v 1001762US	17 x 7.9 x 18.2	9.3	10	1 GAL	3.8	75	1.4kW	5-15 plug	3/8" Compression or 3/8" John Guest
MT4 - 220v 1000762US					7.3	156	2.8kW	L6-20P plug	
MT8 - 110v 1001763US	17 x 7.9 x 23			2.1 GAL	3.8	75	1.4kW	5-15 plug	
MT8 - 220v 1000763US					7.3	156	2.8kW	L6-20P plug	
MT25 - 110v 1001765US	22.4 x 10.6 x 27.1			6.6 GAL	3.8	75	1.4kW	5-15 plug	
MT25 - 220v 1000765US					7.3	156	2.8kW	L6-20P plug	

PACKAGING

NAME ORDER CODE	PACKAGING DIMENSIONS (L x W x H inches)	PACKED WEIGHT	QTY / PALLET	
MT4 - 110v 1001762US	MT4 - 220v 1000762US	19.8 x 10.2 x 21.6	20lbs	24
MT8 - 110v 1001763US	MT8 - 220v 1000763US	20 x 10.2 x 25.7	24lbs	
MT25 - 110v 1001765US	MT25 - 220v 1000765US	24.4 x 12.9 x 29.5	46.2lbs	10

ASSOCIATED PRODUCT (SOLD SEPARATELY)



Hands-Free Urn Tap Adapter
2100500



COFFEE

JET

Precise, programmable batch brewer for higher volume requirements.

- > Single (1.5 gallon) or Twin (3 gallon) options
- > Pre-set recipe and volume options
- > Basket safety lock during brewing
- > Operator friendly and easy-to-use
- > Vacuum insulated urn for energy-efficiency and temperature retention
- > Two power options

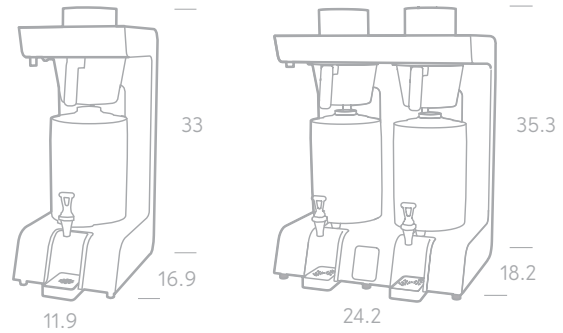
JET 6 2.8KW 1000851US
JET 6 5.6KW 1000850US



JET TWIN
1000855US



DIMENSIONS



SPECS

PRODUCT INFO	PERFORMANCE SPECS	SIZE	PLUMBING & ELECTRICAL REQS			PACKAGING		
			POWER @ 230V	PLUMBING REQS	NEMA	PACKED WEIGHT	PACKAGING DIMENSIONS (L x W x H inches)	QTY / PALLET
Jet 6 2.8kW 1000851US	1.5 GAL	16.9 x 11.9 x 33	2.8kW	3/8" Compression or 3/8" John Guest	L6-20P	52.9lb	19.6 x 15.7 x 35.4	6
Jet 6 5.6kW 1000850US			5.6kW		L6-30P			
Jet Twin 1000855US	1.5 GAL (per urn)	18.2 x 24.2 x 35.3					106lb	19.6 x 27.9 x 36.2

ASSOCIATED PRODUCTS & ACCESSORIES (SOLD SEPARATELY)

JET URN
1700204



REQUIRED

JET GRINDER
1000891



OPTIONAL

HANDS-FREE URN TAP ADAPTER
2100500



PRODUCT INFO		SIZE	PACKAGING		
NAME	ORDER CODE	DIMENSIONS (D x W x H inches)	PACKED WEIGHT	PACKAGING DIMENSIONS (L x W x H inches)	QTY / PALLET
Jet Grinder	1000891	14.5 x 7.4 x 22	55lbs	22.8 x 11.8 x 31.4	12
Jet Urn	1700204	16.5 x 9.6 x 22.4	15.4lbs	25.1 x 12.2 x 17.3	16
Hands-Free Urn Tap Adapter	2100500	—	—	—	—

SP9

Single-serve undercounter precision brewer.

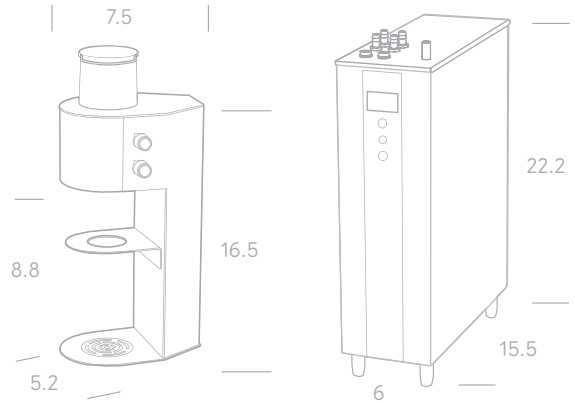
SP9 HEAD 1000830



SP9 BOILER 1000831US



DIMENSIONS



SPECS

NAME ORDER CODE	POWER @ 230V	IMMEDIATE DRAW OFF	CUPS PER HOUR	HEAD DIMENSIONS (D x W x H inches)	UNDERCOUNTER BOILER DIMENSIONS (D x W x H inches)	NEMA	TAP TO COUNTER (inches)	PLUMBING REQS
SP9 Single 1000832US	2.4kW	1 GAL	25	7.5 x 5.2 x 16.5	15.5 x 6 x 22.2	L6-20P	8.8	3/8" Compression or 3/8" John Guest
SP9 Single (White) 1000832(W)US								
SP9 Twin 1000833US			50	7.5 x 5.2 x 16.5 (per head)				
SP9 Twin (White) 1000833(W)US								

PACKAGING

NAME ORDER CODE	PACKED WEIGHT	PACKAGING DIMENSIONS (L x W x H inches)	QTY / PALLET
SP9 Single 1000832US	13.2lb (head) +	23 x 11.25 x 8.5 (head) 20 x 10.5 x 28 (boiler)	12
SP9 Single (White) 1000832(W)US	25.7lb (boiler) Total: 38.9lb (2 boxes)		
SP9 Twin 1000833US	13.2lb (per head) +	23 x 11.25 x 8.5 (head x2) 20 x 10.5 x 28 (boiler)	
SP9 Twin (White) 1000833(W)US	25.7lb (boiler) Total: 52.1lb (3 boxes)		

GOOD TO KNOW

SP9 Single / SP9 Single White [1000832 / 1000832(W)] is packed and shipped in two boxes.
 SP9 Twin / SP9 Twin White [1000833 / 1000833(W)] is packed and shipped in three boxes.

WE CARE ABOUT OUR CUSTOMERS

Contact us for any advice you require – we're here to help

Phone +1 206 641 7692

Web www.marcobeveragesystems.com

Sales / Spares ussales@marco.ie

Tech / Customer Support us.support@marcobeveragesystems.com

Accounts accountspayable@marco.ie

For more product info, FAQs and troubleshooting tips visit our website: **www.marcobeveragesystems.com**



