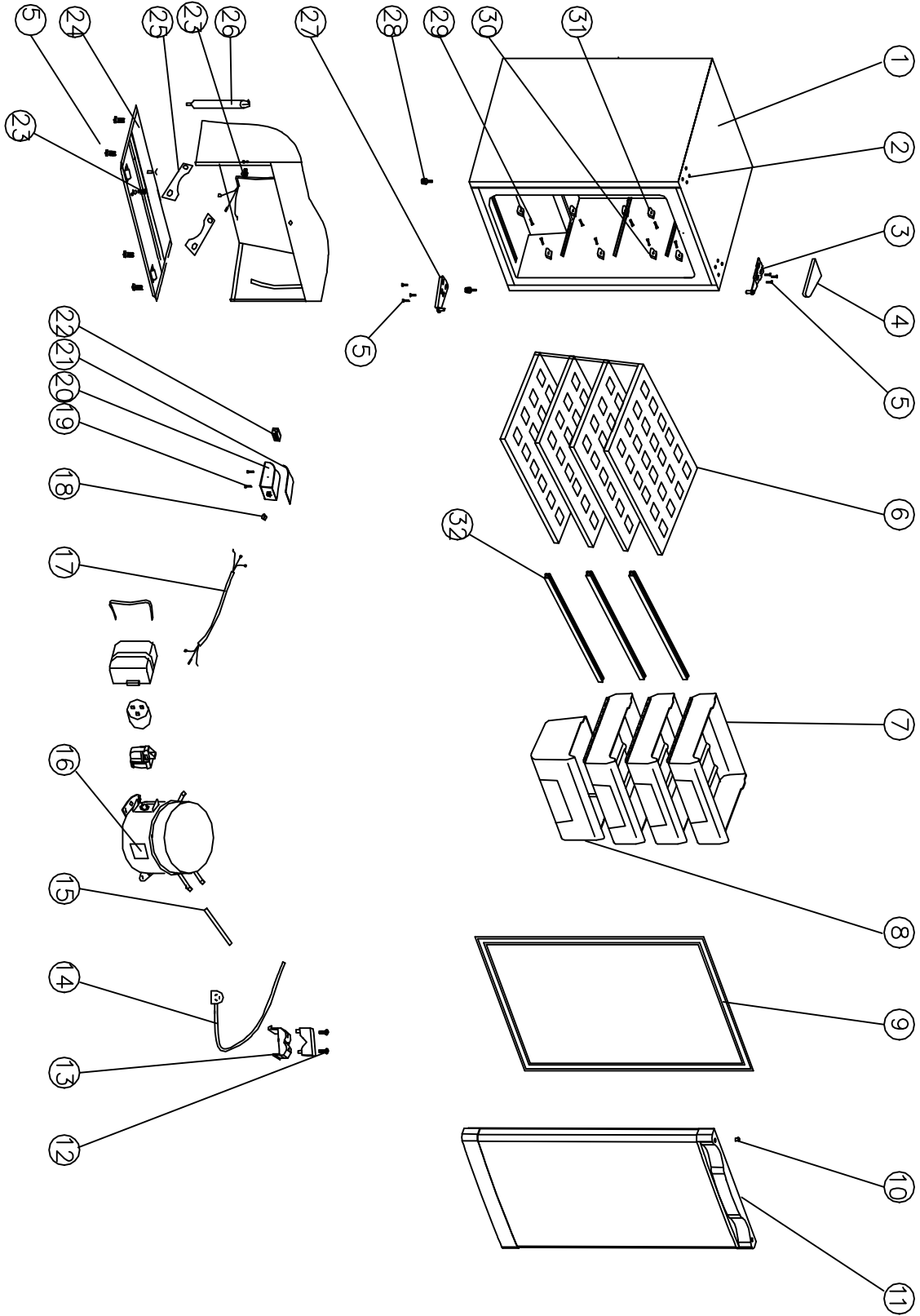


# VF306



## VF306

No.	Part#	Part Name	Qty
1	<b>2.00.2TQ031-018</b>	enclosure	1
2	<b>1.06.TQ2620-142</b>	Reaming plug	1
3	<b>1.11.01001TQ-01</b>	top hinge	1
4	<b>1.06.TQ3210-001</b>	hinged cover	1
5	<b>1.13.G50130-104</b>	M5X13bolt	3
6	<b>2.23.22TQ00-018</b>	evaporimeter	1
9	<b>1.39.201102-010</b>	door gasket	1
10	<b>1.06.TQ4310-001</b>	Molding plug	1
11	<b>2.01.F0TQ02-018</b>	door	1
12	<b>1.12.B39160-AB7</b>	bolt	2
13	<b>1.06.TQ2780-041</b>	SADDLE SHOULDER	1
14	<b>1.28.AA2006-001</b>	power line	1
15	<b>2.20.B1TQ00-000</b>	Seal liner	1
16	<b>1.10.12063A-0XX</b>	compressor	1
17	<b>1.36.ATQ201-018</b>	Temperature control wires	1
18	<b>1.06.TQ0311-018</b>	Temperature Control Knob	1
19	<b>1.13.G50130-104</b>	screw	2
20	<b>1.06.TQ4673-018</b>	thermostat box	1
21	<b>1.06.TQ7370-018</b>	Thermostat Enclosure	1
22	<b>1.32.2614X0-1TQ</b>	Thermostat	1
23	<b>1.12.B39160-AB7</b>	screw	2
24	<b>1.11.04010TQ-01</b>	compressor plate	1
25	<b>1.11.30069TQ-02</b>	Compressor compressor stator	2
26	<b>1.46.0400TQ-013</b>	Dry filter	1
27	<b>1.11.03001TQ-02</b>	Lower Hinge	3
28	<b>1.06.TQ2112-027</b>	Leg Parts	2
29	<b>1.13.G50130-104</b>	3.9x16	8
30	<b>1.06.TQ1670-018</b>	right limit block	4
31	<b>1.06.TQ1770-018</b>	left set blocks	4