

# AMERICAN RANGE®

A  Company

Project \_\_\_\_\_

Item # \_\_\_\_\_

Quantity \_\_\_\_\_

## INFRARED BROILER CHEESEMELTER

GAS TYPE:  NATURAL  LP



- ARCM-24     ARCM-36
- ARCM-48     ARCM-60
- ARCM-72

### STANDARD FEATURES

- Stainless steel exterior on front, sides and top.
- Heavy gauge construction.
- Heavy duty atmospheric infrared burners.
- Standing pilots and individual controls for instant ignition.
- Heavy duty chrome plated food rack (one).
- Two position rack guides.
- Removable full-width drip pan for easy cleanup.
- Two year limited warranty, parts and labor.

### OPTIONAL FEATURES

- Wall mounting brackets.
- Can be mounted to most AR-Series ranges. Must be ordered with range. Please call for details.
- Adjustable 4" legs.



**Model ARCM-36**

### DESCRIPTION

**American Range Cheesemelter Broiler** Model ARCM sizes 24", 36", 48", 60", 72". Stainless steel front, top, and sides. Heavy gauge construction. Equipped with heavy-duty atmospheric infrared burners. Standing pilot ignition system. Heavy-duty chrome plated grid rack and two-position rack guide. Removable full-width pans drip pan for easy cleaning. 3/4" rear gas connection and gas pressure regulator. Two-year limited parts and labor warranty.



DESIGNED & BUILT IN USA  
PROFESSIONAL COOKING EQUIPMENT

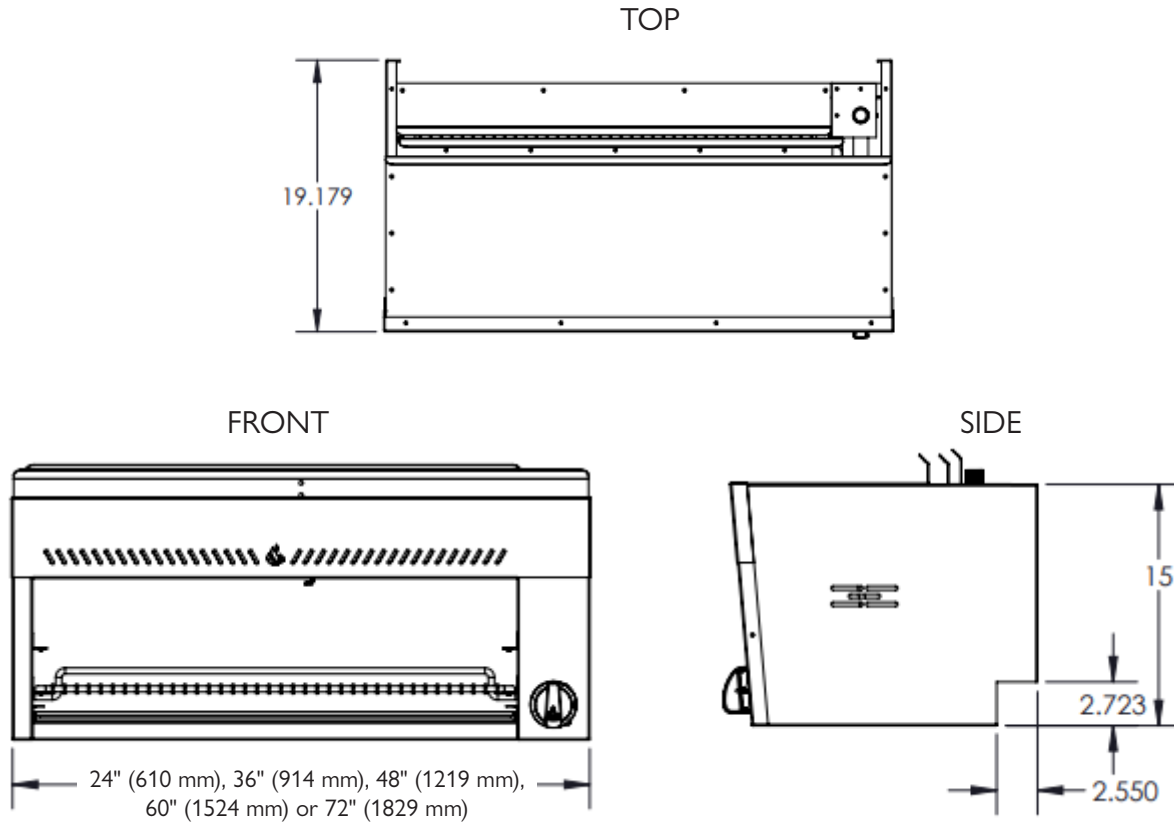
A70183 RevC 09182023

# AMERICAN RANGE®

A  Company

13592 Desmond St Pacoima CA 91331  
T. 818.897.0808 Toll Free: 888.753.9898  
www.AmericanRange.com

# INFRARED BROILER CHEESEMELTERS



COUNTERTOP	BURNERS	WIDTH (MM)	DEPTH (MM)	HEIGHT (MM)	BTU	(KW)	SHIPPING WEIGHT*	
							LBS	(KG)
ARCM-24	1	24" (610)	19 3/16" (487)	15" (381)	20,000	(6)	125	(57)
ARCM-36	1	36" (914)	19 3/16" (487)	15" (381)	30,000	(9)	149	(68)
ARCM-48	2	48" (1219)	19 3/16" (487)	15" (381)	40,000	(12)	188	(85)
ARCM-60	2	60" (1524)	19 3/16" (487)	15" (381)	50,000	(15)	224	(102)
ARCM-72	2	72" (1829)	19 3/16" (487)	15" (381)	60,000	(18)	280	(127)

- Specify type of gas and altitude if over 2000 feet.
- Please specify gas type when ordering.

#### COMBUSTIBLE WALL CLEARANCES:

Clearance from non-combustible walls is 0". When unit is placed next to combustible walls, clearances must exceed 12" (305) on sides, and 4" (102) from rear.

Commercial cooking equipment requires an adequate ventilation system. For additional information, refer to the National Fire Protection Association's standard.

NFPA96 "Vapor Removal from Cooking Equipment." (NOTE: For North America only)

American Range is a quality manufacturer of commercial cooking equipment. Because of continuing product improvements these specifications are subject to change without prior notice.

NMFCCODE: 25970-2 Class: 85

\*Shipping weight includes packaging and is approximate.

NATURAL GAS	MANIFOLD PRESSURE	
	PROPANE GAS	MANIFOLD SIZE
5.0" W.C.	10.0" W.C.	3/4" (19MM)

