

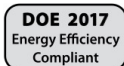
Item No. _____



microSC™

The natural refrigerant case solution!

Ideal for Beverage, Dairy, Deli, and
Produce Applications



GSVM4060A

Self-Contained Vertical Open Merchandiser with
Environmentally-Friendly R-290 Refrigerant

Advantages

- Environmentally-friendly R-290 hydrocarbon refrigerant that has zero ozone depletion (ODP) potential and 3 Global Warming Potential (GWP)
- NSF Type II Certified (80 F and 55% R.H.)
- Easy to service with slide out air-cooled condensing unit
- Increased product visibility with narrow canopy and Plexiglass view ends

Standard Features

- Black exterior, base and interior color
- Black bumper
- LED light kits
- Shelves with PTM: 13", 15" depths
- Canopy and shelf lighting
- Front air discharge
- CFC-free insulation
- Leg levelers

Options

- Additional shelving
- White exterior
- Stainless steel exterior or choice of exterior colors
- Leg and caster kits, cross bar and hook displays
- NSF Type II

AIA #

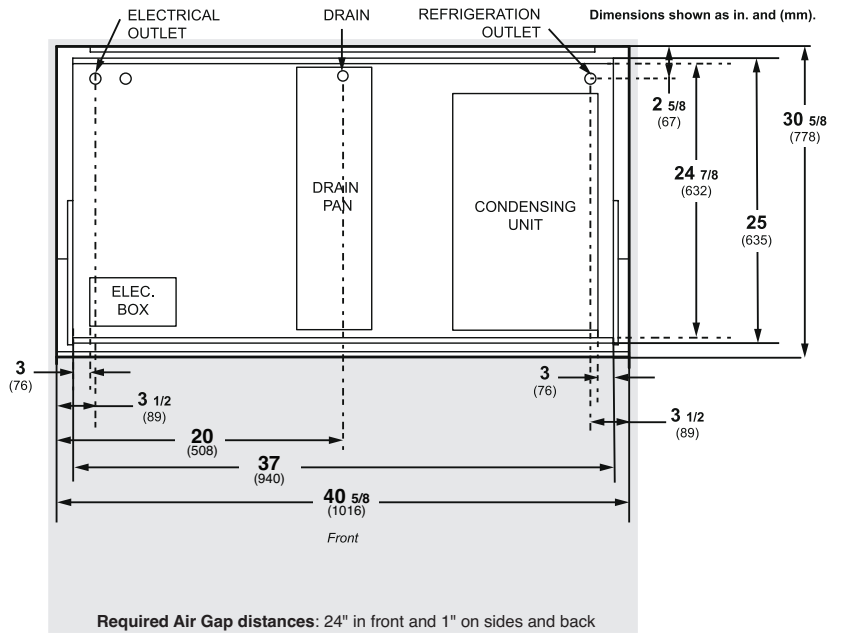
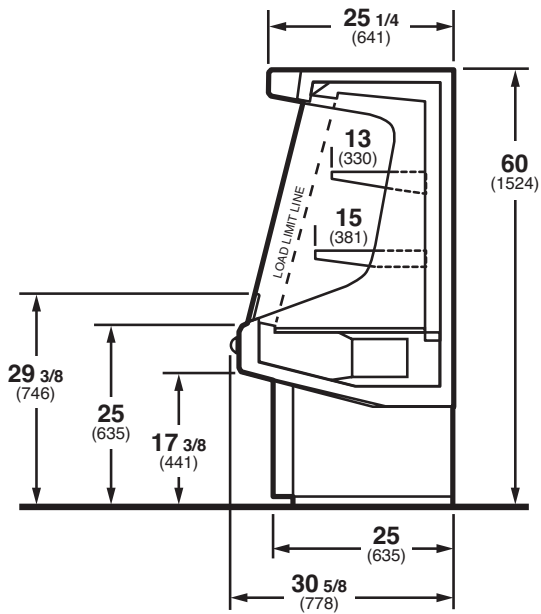
Hussmann Corporation

12999 St. Charles Rock Rd.
Bridgeton, MO 63044-2483
Ph: 800.592.2060

www.hussmann.com

GSVM4060A

Self-Contained Vertical Open Merchandiser with Environmentally-Friendly R-290 Refrigerant



AIA #

Model	L	D	H	Disch. Air	In/Ex	Ref.	Volts	Run Amps	Noise	Cord Length	Shipping Weight	Env.
GSVM4060A 2 shelves	40" (1016)	30-5/8" (778)	60" (1524)	25-28°F	F/R	R290	115	9	<68 dB	78 in (1981 mm)	365 (166)	NSF Type II

Bidding specifications

NEMA 5-15P



[DATA SHEET](#)

For more detailed information scan or click above.

We reserve the right to change or revise specifications and product design in connection with any feature of our products. Such changes do not entitle the buyer to corresponding changes, improvements, additions, or replacements for equipment previously sold or shipped. For additional resources, contact your representative or visit www.hussmann.com.

HUSSMANN[®]
FOODSERVICE

12999 St. Charles Rock Rd.
Bridgeton, MO 63044-2483
Ph: 800.592.2060

www.hussmann.com