

# MOTAK

## Stock Pot Range

Model #: **MSP1 & MSP2**

### Product Details

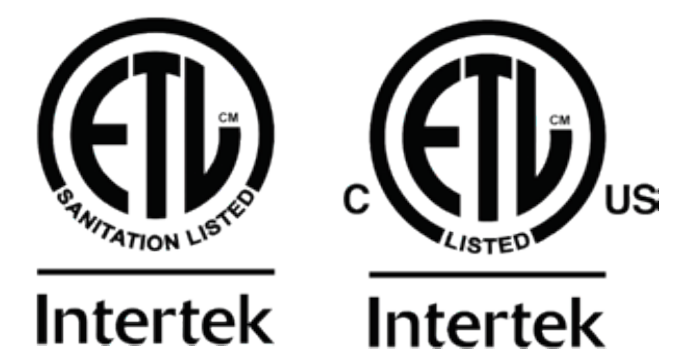
- Stainless steel construction
- Heavy-duty, 1-7/8" thick removeable cast iron grate
- 3-ring cast iron burner
- Dual control valves
- 2 standing pilot lights for instant ignition
- 8" adjustable legs
- Removable crumb tray for easy cleaning
- 3/4" rear NPT gas inlet, pressure regulator included



### Warranty

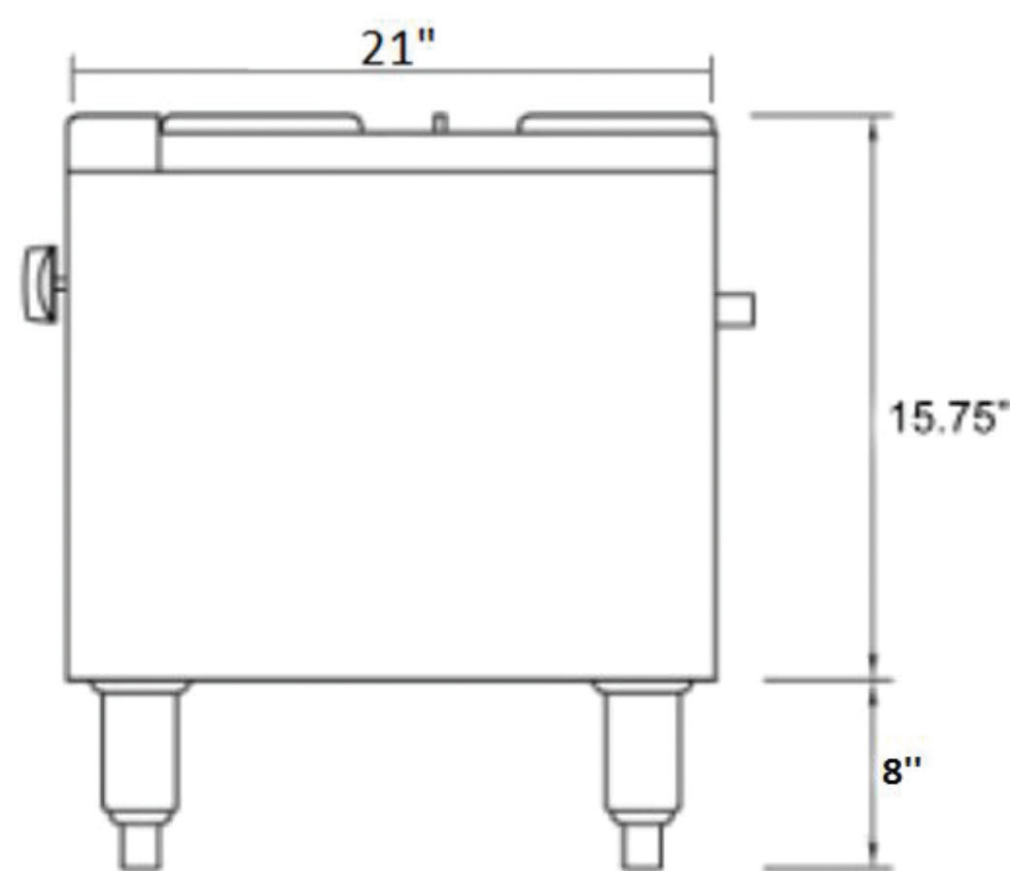
1 year parts & labor

### Certifications

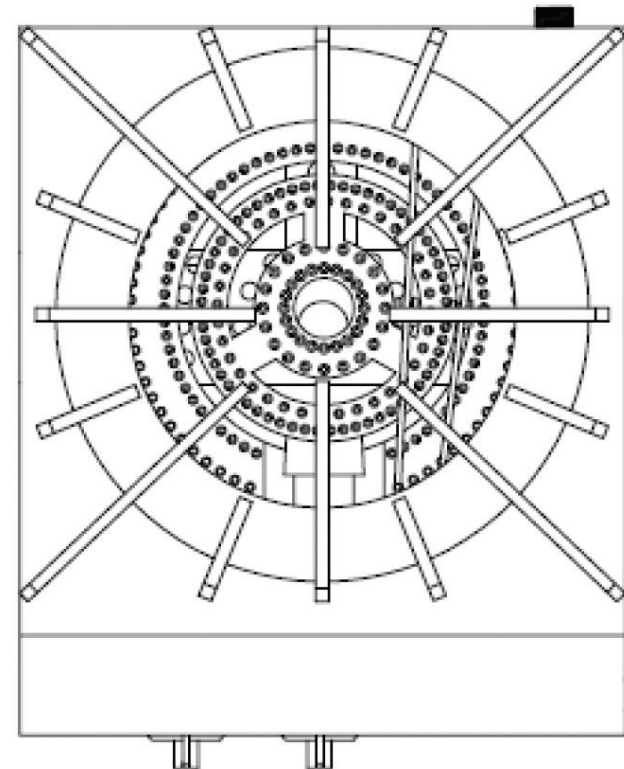


### Plan View

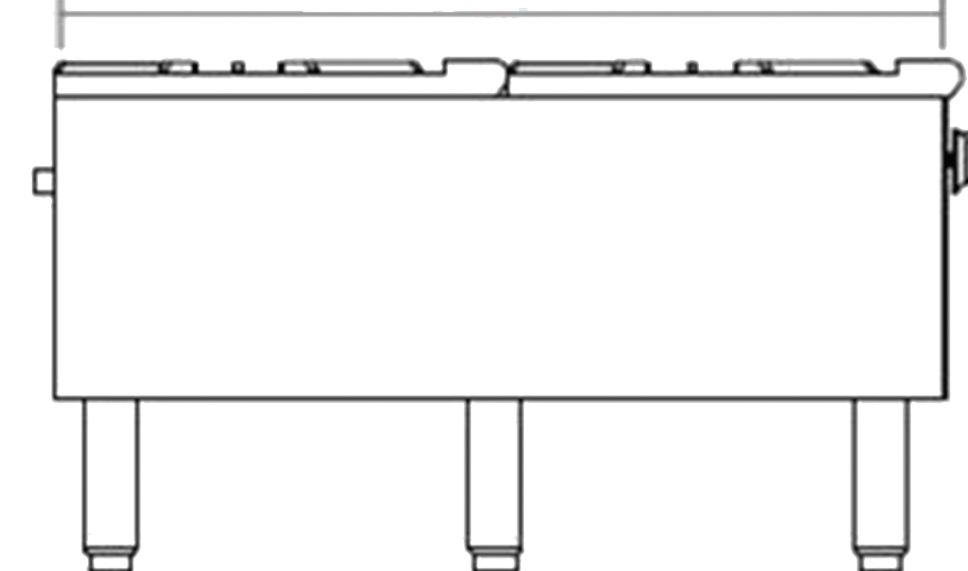
MSP-1 - Side View



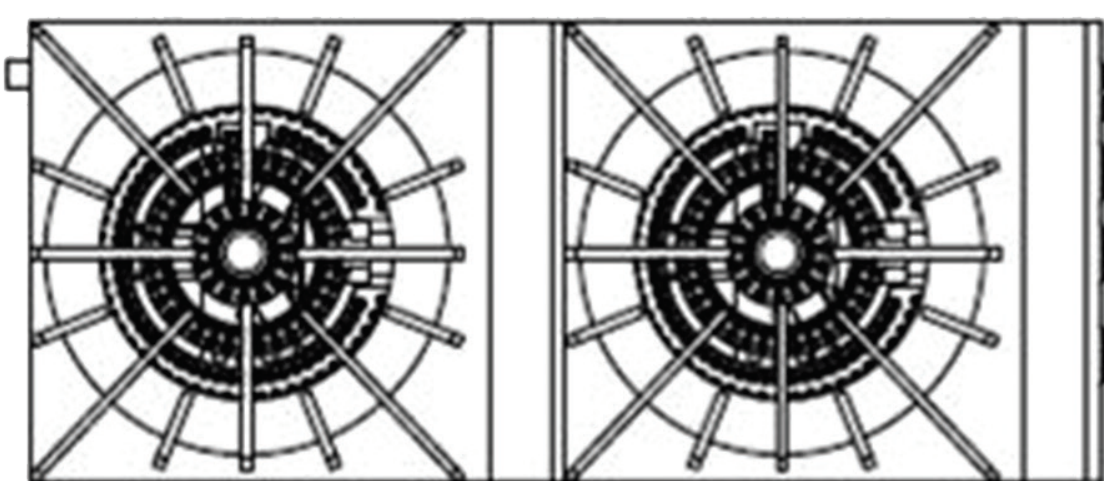
MSP-1 - Top View



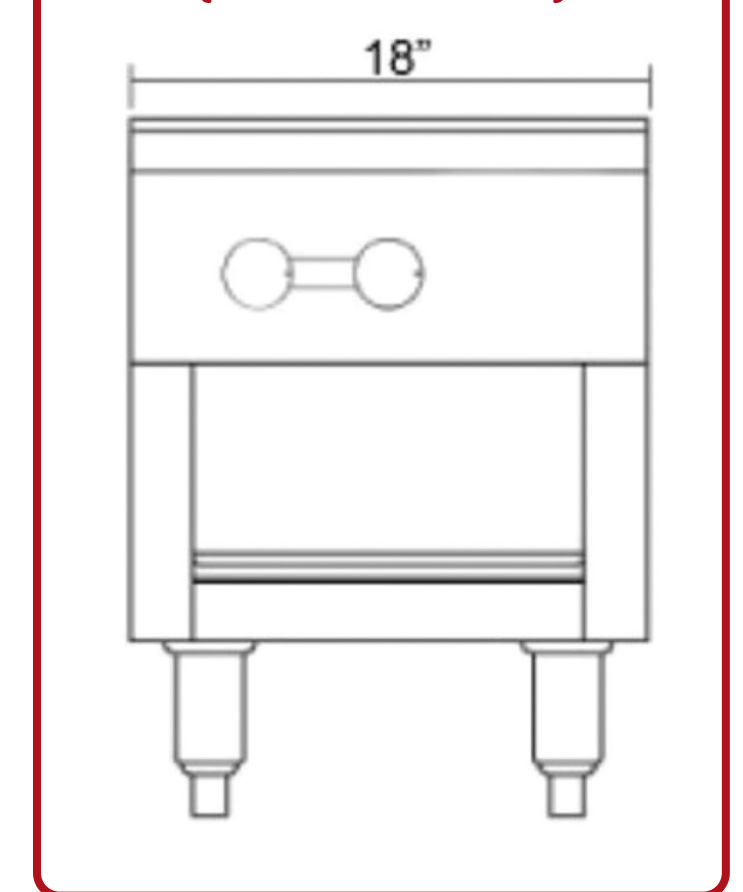
MSP-2 - Side View



MSP-2 - Top View

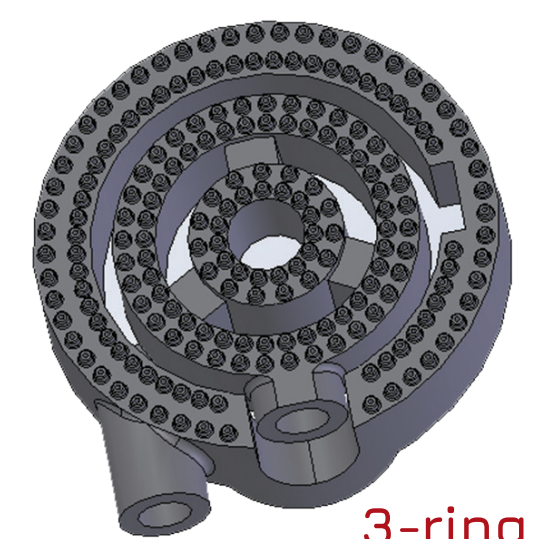


Front View  
(Both Models)



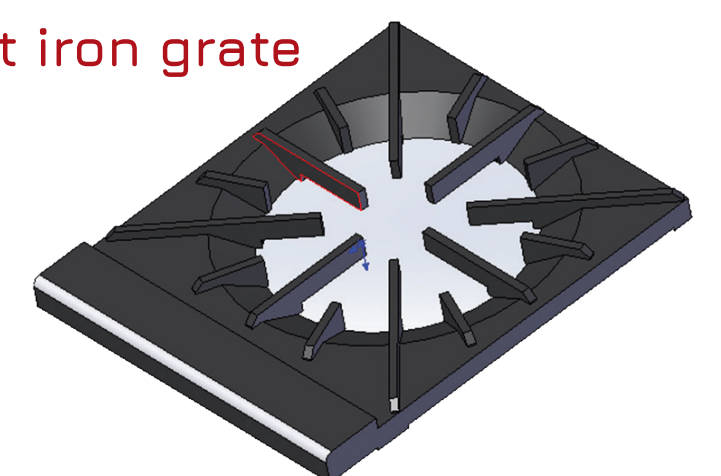
### Specifications

| Model | Burners               | Dimensions |       |        | Total BTUs<br>(Natural Gas) | Crated<br>Weight (lbs) |
|-------|-----------------------|------------|-------|--------|-----------------------------|------------------------|
|       |                       | Width      | Depth | Height |                             |                        |
| MSP-1 | 1 (3 rings, 2 valves) | 18"        | 21"   | 15.75" | 80,000                      | 145 lbs.               |
| MSP-2 | 2 (3 rings, 2 valves) | 18"        | 42"   | 15.75" | 160,000                     | 292 lbs.               |



3-ring burner

Cast iron grate



Not suitable for installation in non-commercial or residential applications.

MOTAK reserves the right to make changes to the design or specifications without prior notice.