



# KM-1900S\_J(Z)(3)

## STACKABLE CRESCENT CUBER



KM-1900S\_J(Z)(3)  
07/02/24  
Item # 13190

W x D x H  
48" x 27<sup>3/8</sup>" x 36<sup>7/16</sup>"

### KM|EDGE™

**KM-1900SAJ** ★  
Air-Cooled 1 Phase  
Shown on optional bin: B-900

**KM-1900SWJ**  
Water-Cooled 1 Phase

**KM-1900SRJZ** ★  
Remote Air-Cooled 1 Phase

**KM-1900SAJ3** ★  
Air-Cooled 3 Phase

**KM-1900SWJ3**  
Water-Cooled 3 Phase

**KM-1900SRJZ3** ★  
Remote Air-Cooled 3 Phase



Item #: \_\_\_\_\_  
Project: \_\_\_\_\_  
Qty: \_\_\_\_\_  
AIA#: \_\_\_\_\_

### Features

- ▶ Individual crescent cube
- ▶ Stainless steel evaporator
- ▶ CycleSaver™ design

- Up to 1933 lbs. of ice production per 24 hours
- Stackable for 3866 lbs. per 24 hours ice production in the same floor space
- Durable stainless steel exterior
- EverCheck™ alert system
- R-404A Refrigerant

#### Available on Bins:

**B-800**    **B-1150SS**    **B-1500SS**    *Top kit may be required.*  
**B-900**    **B-1300SS**    **B-1650SS**    *See Bin Spec Sheets.*

#### Warranty:

Valid in United States, Canada, Puerto Rico and U.S. Territories. Contact factory for warranty in other countries.

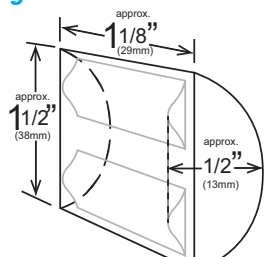
Shipping: (LxWxH) 51.75" x 33" X 43"    Volume: 42.5ft<sup>3</sup>

	Condenser	Model	ICE PRODUCTION		WATER USAGE			ELECTRICAL				Heat Rejection BTU/hr.	Refrigerant Charge Amount	Net / Ship Weight (lbs.)
			Air / Water Temp Lbs. per 24 hours 70°/50°F	90°/70°F	Potable Gal. per 100 lbs. 90°/70°F	Condenser Gal. per 100 lbs. 90°/70°F	kWh Used per 100 lbs. 90°/70°F	Min. Circuit/Max. Fuse Size	Amperage	Voltage	Circuit Wires (including ground)			
1 Phase	Air	KM-1900SAJ	1875	1675	19.0	N/A	3.90	30A	14.5A	208-230V/60/1	4*	21,200	4 lb. 10.1 oz.	390 / 415
	Water	KM-1900SWJ	1880	1875	21.0	85	3.20	30A	15.8A	208-230V/60/1	4*	21,500	3 lb. 1.4 oz.	390 / 415
	Remote	KM-1900SRJZ	1933	1700	19.0	N/A	3.90	30A	15.9A	208-230V/60/1	4*	24,200	13 lb. 12.5 oz. 21 lbs. 7.9 oz. <sup>1</sup>	390 / 415
3 Phase	Air	KM-1900SAJ3	1865	1675	19.0	N/A	3.90	20A	8.9A	208-230V/60/3	4	20,900	4 lb. 10.1 oz.	390 / 415
	Water	KM-1900SWJ3	1880	1875	21.0	85	3.20	20A	8.9A	208-230V/60/3	4	21,900	3 lb. 1.4 oz.	390 / 415
	Remote	KM-1900SRJZ3	1933	1700	19.0	N/A	3.90	20A	13.5A	208-230V/60/3	4	20,700	13 lb. 12.5 oz. 21 lbs. 7.9 oz. <sup>1</sup>	390 / 415

\*If neutral is not available, transformer kit (HS-5030) is required. Refer to Instruction Manual for installation and electrical requirements.

<sup>1</sup>with condenser  
Power cord not included

### KMEdge™ Cube Dimensions\*



\* approximate size in inches, image not to scale

### Operating Limits

- Ambient Temp Range 45 - 100°F
- Water Temp Range 45 - 90°F
- Water Pressure 10 - 113 PSIG
- Voltage Range 187 - 253V
- If GFCI is required, a GFCI breaker MUST be used in lieu of GFCI receptacle

### Service

- Panels easily removed and all components accessible for service.
- Allow 6" (15 cm) clearance at rear, sides, and top for proper air circulation and ease of maintenance/service.

### Plumbing

- Icemaker Water Supply Line: Min. 3/8" Nominal ID Copper Water Tubing or Equivalent
- Icemaker Drain Line: Min. 3/4" Nominal ID Hard Pipe or Equivalent **Water-Cooled Model (Lines Must Be Independent of Icemaker)**
- Condenser Water Supply Line: Min. 3/8" Nominal ID Copper Water Tubing or Equivalent
- Condenser Drain/Return Line: Min. 3/8" Nominal ID Hard Pipe (open drain system) or Copper Water Tubing (closed loop system) or Equivalent

### Water Filter

Please refer to water filter spec sheet for recommended configurations.

Hoshizaki reserves the right to change specifications without notice.

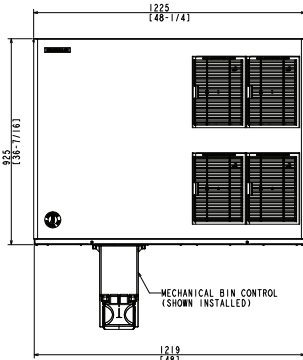


# KM-1900S\_J(Z)(3)

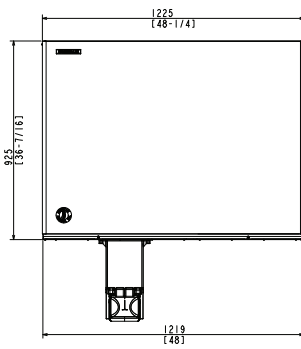
STACKABLE CRESCENT CUBER

KM-1900S\_J(Z)(3)  
07/02/24  
Item # 13190

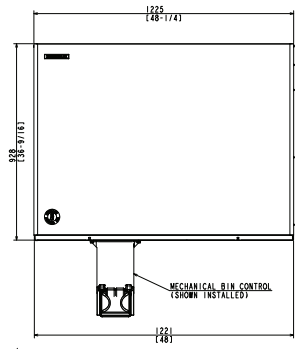
FRONT VIEW



AIR-COOLED

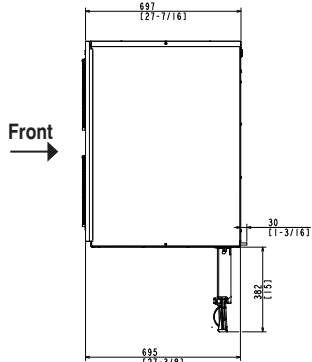


WATER-COOLED

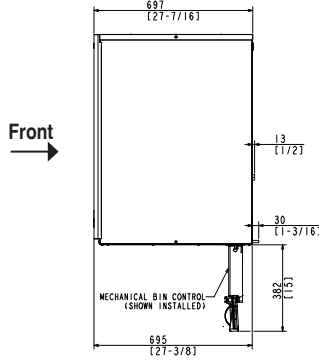


REMOTE AIR-COOLED

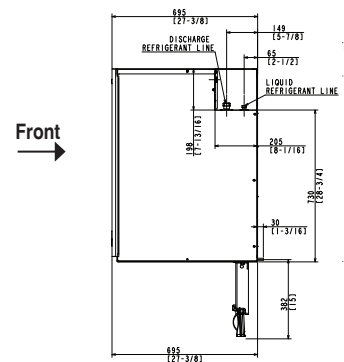
SIDE VIEW



AIR-COOLED

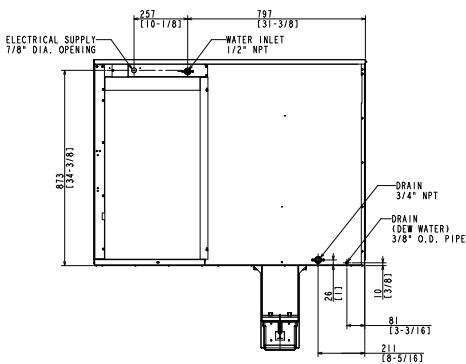


WATER-COOLED

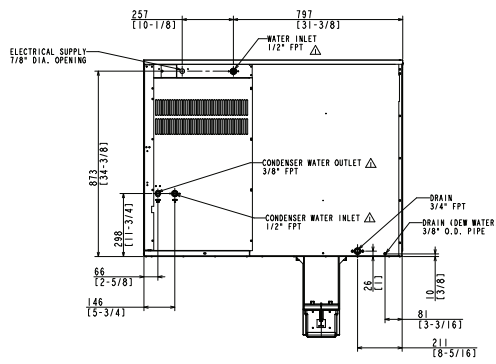


REMOTE AIR-COOLED

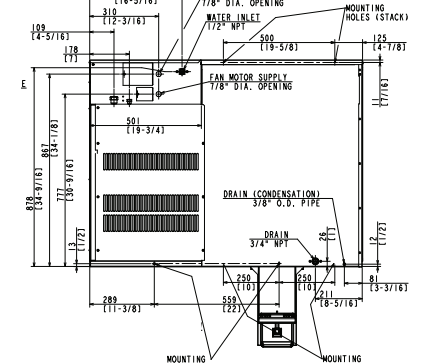
REAR VIEW



AIR-COOLED

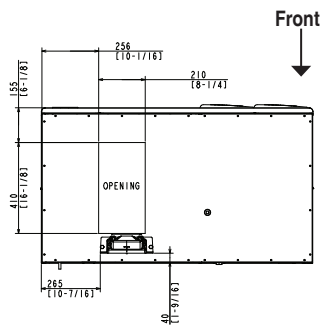


WATER-COOLED

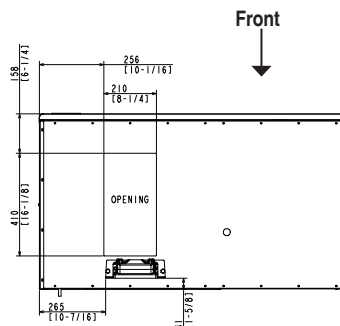


REMOTE AIR-COOLED

BOTTOM VIEW

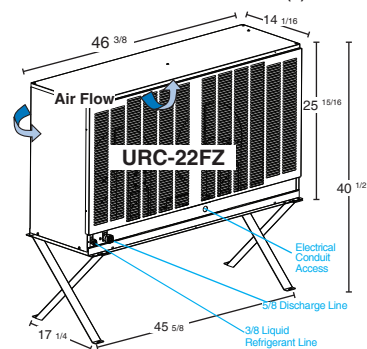


AIR-COOLED  
WATER-COOLED



REMOTE AIR-COOLED

URC-22FZ Remote Condenser (Sold Separately)  
(W x D x H) 46 3/8 X 14 1/16 X 40 1/2  
For Use with KM-1900SRJ(3)



Braze Line Sets  
(Sold Separately)  
25' HS-5323  
35' HS-5324  
55' HS-5325

Voltage supply for the URC Remote Condenser is supplied from the Ice Maker. No additional circuit is required.