



# IM-1700 Ice Cube Machine

## Models

- IM-1700-AC  
  IM-1700-AH  
  IM-1700-WC  
  IM-1700-WH  
  IM-1700-RC  
  IM-1700-RH



ICETRO IM-1700 ice machine on a IB-085-48 bin  
\*Ice Machine and Bin sold separately

- Up to 1,722 lbs production capacity (70F/50F, 24 Hours)
- 304 stainless-steel exterior (durable & rust-resistant)
- Simple diagnostic panel to assist service & maintenance
- Cleaning switch for auto cleaning cycle
- Magnetic & cleanable condenser air filter
- Adjustable flush time to reduce scale & cleaning cost
- ABS antimicrobial interior to reduce slime & cleaning cost
- Water distributor tube & water sump removed w/o tools
- Heavy duty water curtain, pins & hangers for easy removal
- Hinged front doors for easy access
- Split front panel requires less space to access food zone
- Side panel screws easily removed from front of machine
- Louvers on both sides & top for optimal ventilation
- Improved evaporator section to reduce airborne bacteria
- R-410A refrigerant

## Ice Types



Half Cube  
3/8" x 1 1/8" x 7/8"  
(.95 x 2.86 x 2.22 cm)



Cube  
7/8" x 7/8" x 7/8"  
(2.22 x 2.22 x 2.22 cm)

## Factory Warranty

Parts & Labor	Parts	Parts
<b>3</b> YR	<b>5</b> YR	<b>5</b> YR
Ice Maker	Evaporator	Compressor



Extend ice machine warranty 1 year by installing an IcePro 2500 with ice machine.

\* Applies only to new ice machines, at the time of original installation & start-up.

## Specifications

**BTU Per Hour:** 26,910  
**Refrigerant:** R410A

- Ambient Temperature Range: 50° to 100°F (10° to 37°C)
- Ambient Temperature Range for remote condenser IRC-2000: -5° to 117°F (-20° to 47°C)
- Water Temperature Range: 50° to 90°F (10° to 32°C)
- Potable Water Pressure: Min. 20 psi (137.9 kPA) Max. 80 psi (551.1 kPA)
- Condenser Water Pressure: Min. 20 psi (1.38 bar) Max. 150 psi (10.34 bar)

## Ice Machine Electric

208-230V/60Hz/1ph

### Minimum circuit ampacity:

Air-cooled: 19.7 1ph  
Water-cooled: 19.7 1ph  
Remote: 19.7 1ph

### Maximum fuse size:

Air-cooled: 30 1ph  
Water-cooled: 30 1ph  
Remote: 30 1ph

## Accessories

### Refrigeration Line Sets

IRT-20R410 20' line set  
IRT-35R410 35' line set  
IRT-50R410 50' line set



### Remote Condenser

IRC-2000  
(sold separately for RC/RH models)



### Bin-Stat Kit IBO-150KIT

Recommended when ice machine is installed on soda dispenser.



### Water Filtration IcePro 2500

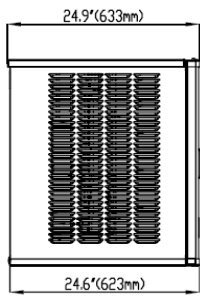
Reduces sediment and chlorine contaminants with the use of Citrine.



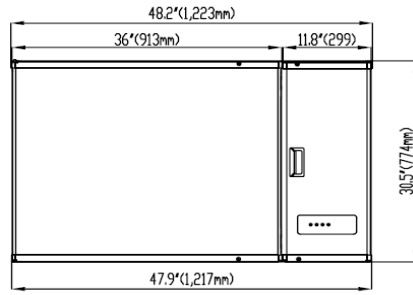


# IM-1700 Ice Cube Machine

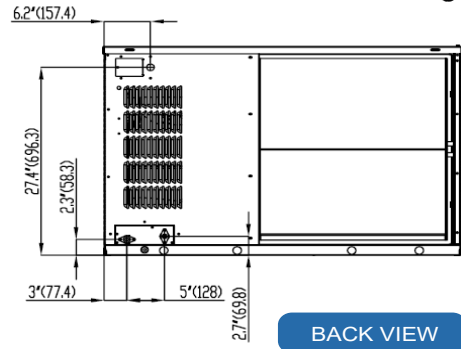
## PLAN VIEW IM-1700-AC/AH (MACHINE HEAD)



SIDE VIEW

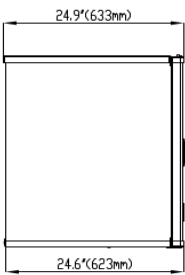


FRONT VIEW

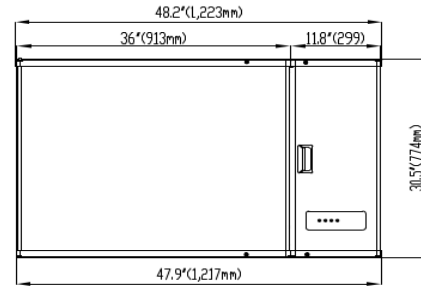


BACK VIEW

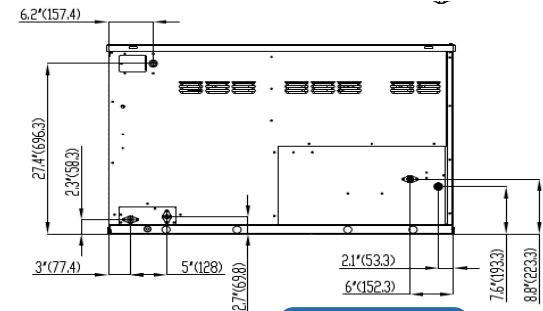
## PLAN VIEW IM-1700-WC/WH (MACHINE HEAD)



SIDE VIEW



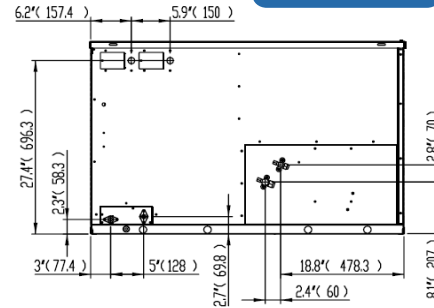
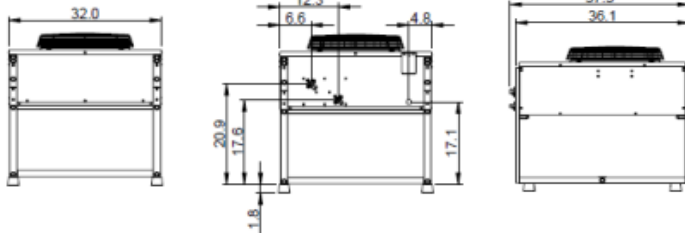
FRONT VIEW



BACK VIEW

## PLAN VIEW IM-1700-RC/RH

(IRC-2000 condenser, back view [side and front same as AC/AH])



BACK VIEW

## Specifications

Dimensions	Width	Depth	Height	Weight	
IM-1700 Machine	48"	24.5"	30.4"	322 lbs (Net)	366 lbs (Shipping)
IRC-2000 Condenser*	37.3"	32"	27.1"	143 lbs (Net)	195 lbs (Shipping)

	Model	Ice Shape	Ice Production 24 Hours		Power Usage kWh/100 lbs. @90°Air/70°F	Potable Water Usage/100 lbs. 45.4 kgs. of Ice
			70°Air/ 50°F Water	90°Air/ 70°F Water		
AIR COOLED	IM-1700-AC	cube	1 ph	1 ph	1 Ph	14 Gal.
			1722 lbs	1443 lbs		
	IM-1700-AH	half-cube	1722 lbs	1443 lbs	4.66	14 Gal.
			783 kgs	657 kgs		
WATER COOLED	IM-1700-WC	cube	1843 lbs	1678 lbs	2.95	14 Gal.
			838 kgs	763 kgs		
	IM-1700-WH	half-cube	1843 lbs	1678 lbs	2.95	14 Gal.
			838 kgs	763 kgs		
*IRC-2000 condenser ordered separately for remote-cooled units						
REMOTE COOLED	IM-1700-RC	cube	1680 lbs	1462 lbs	4.44	14 gal
			764 kgs	665 kgs		
	IM-1700-RH	half-cube	1680 lbs	1462 lbs	4.44	14 gal
			764 kgs	764 kgs		

