



STAINLESS STEEL
SQUARE CORNER SCULLERY

BUDGET SINKS

"400" Series "600" Series

Item #: _____ Qty #: _____
 Model #: _____
 Project #: _____



ONE COMPARTMENT



THREE COMPARTMENT



TWO COMPARTMENT



FOUR COMPARTMENT

MATERIAL:

"400" Series is 16 gauge type 430 Series.
 "600" Series is 16 gauge type 304 Series.
 Galvanized tubular legs.
 1" adjustable plastic bullet feet.

CONSTRUCTION:

All heli-arc welded.
 Welded areas blended to match adjacent surfaces
 and to a satin finish.

MECHANICAL:

Supply is 1/2" hot & cold.
 Faucet holes on 8" O.C.
 Waste drains are 1 1/2" IPS basket type and are included.
 Faucets are not included (see accessories).
 Four compartment units require two faucets.
 Three compartment units with 24" sink bowls
 require two faucets.



Click This Link
To View
Drainboard Specs



DETACHABLE DRAINBOARDS

Size	18 Ga. S/S "430"	Wt.
18" x 18"	N-5-818	10 lbs.
21" x 18"	N-5-18	11 lbs.
21" x 24"	N-5-24	12 lbs.
21" x 30"	N-5-30	22 lbs.
21" x 36"	N-5-36*	25 lbs.
21" x 48"	N-5-48*	28 lbs.
24" x 24"	N-54-24	18 lbs.
24" x 36"	N-54-36*	32 lbs.
24" x 48"	N-54-48*	36 lbs.

*Drainboards 36" and 48" are supplied with legs for support



Stores Conveniently
On Side Of Sink



Click This Link
To View
S/S Cover Specs

**STAINLESS STEEL SINK COVERS
FOR ONE COMPARTMENT BUDGET SINKS**

Size	MODEL	Wt.
18" x 18"	LSC-81	20 lbs.
21" x 24"	LSC-24	21 lbs.
24" x 24"	LSC-242	22 lbs.
24" x 36"	LSC-36	23 lbs.



Customer Service Available To Assist You 1-800-645-3166 8:30 am - 7:00 pm E.S.T.

For Orders & Customer Service:

Email: customer@advancetabco.com or Fax: 631-242-6900

For Smart Fabrication™ Quotes:

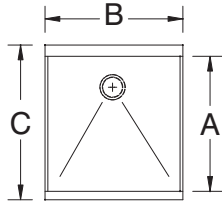
Email: smartfab@advancetabco.com or Fax: 631-586-2933

DIMENSIONS and SPECIFICATIONS

TOL Overall: ± .500" Interior: ± .250"

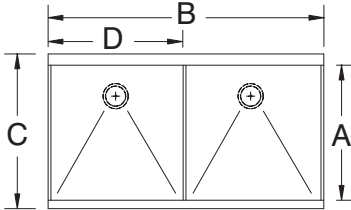
ALL DIMENSIONS ARE TYPICAL

ONE COMPARTMENT



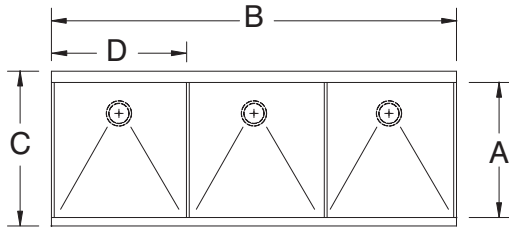
A	B	C	"400" Series	"600" Series	Ship Weight
			16 Ga. S/S "430"	16 Ga. S/S "300"	
18"	18"	21 1/2"	4-81-18	6-81-18	45 lbs.
21"	18"	24 1/2"	4-1-18	N/A	47 lbs.
21"	24"	24 1/2"	4-1-24	6-1-24	53 lbs.
21"	36"	24 1/2"	4-1-36	6-1-36	66 lbs.
24"	24"	27 1/2"	4-41-24	6-41-24	53 lbs.
24"	36"	27 1/2"	4-41-36	6-41-36	69 lbs.

TWO COMPARTMENTS



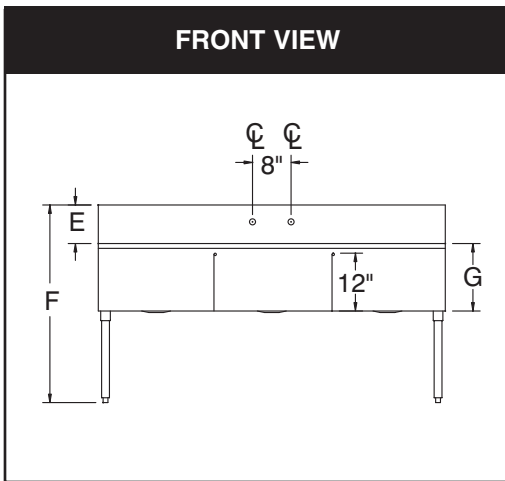
A	B	C	D	"400" Series	"600" Series	Ship Weight
				16 Ga. S/S "430"	16 Ga. S/S "300"	
21"	36"	24 1/2"	18"	4-2-36	6-2-36	73 lbs.
21"	48"	24 1/2"	24"	4-2-48	6-2-48	86 lbs.
21"	60"	24 1/2"	30"	4-2-60	N/A	100 lbs.
24"	48"	27 1/2"	24"	4-42-48	6-42-48	88 lbs.

THREE COMPARTMENTS

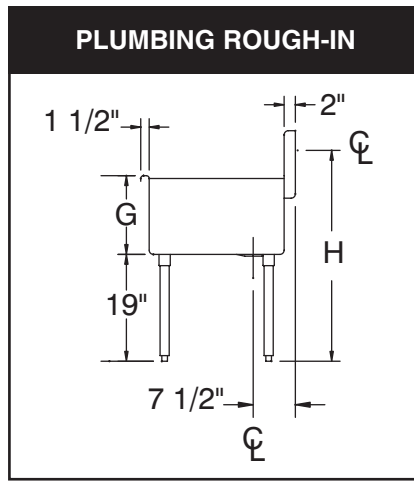


A	B	C	D	"400" Series	"600" Series	Ship Weight
				16 Ga. S/S "430"	16 Ga. S/S "300"	
21"	36"	24 1/2"	12"	4-3-36	6-3-36	78 lbs.
21"	48"	24 1/2"	16"	4-3-48	6-3-48	91 lbs.
21"	54"	24 1/2"	18"	4-3-54	6-3-54	98 lbs.

FRONT VIEW



PLUMBING ROUGH-IN



	18" & 21"	24"
	Front to Back Models	Front to Back Models
E	8"	6"
F	41"	39"
G	14"	13"
H	37 3/4"	35 3/4"

