



STAINLESS STEEL
REGALINE SINKS
 One Compartment - Two Drainboards



93 & 9 SERIES
 Adjustable Side
 Cross-Bracing



94 SERIES
 Adjustable Side &
 Front Cross-Bracing



Item #: _____ Qty #: _____
 Model #: _____
 Project #: _____



93 & 9 Series Adjustable
 Side Cross-Bracing



94 Series Adjustable
 Side & Front Cross-Bracing



Recessed Bowl Surface
 Accommodates Poly-Vance
 Cutting Boards & Sink Covers

YES! It's SeaLess!

FEATURES:

- Tile edge for ease of installation.
- One piece **Deep Drawn** sink bowls with integral drainboards with splash.
- Featuring the single bowl unit design.
- All sink bowls have a large liberal 3" radius.
- "94" Series** is supplied with adjustable front and side cross braces featuring leg clamps.
- "93" & "9" Series** is supplied with adjustable side cross braces featuring leg clamps.

CONSTRUCTION:

All TIG welded.
 Welded areas blended to match adjacent surfaces and to a satin finish.

MATERIALS:

- Spec-Line (94 Series):** 14 gauge type 304 stainless steel
11" High Splash.
- Standard (93 Series):** 16 gauge type 304 stainless steel
8" High Splash.
- Super Saver (9 Series):** 18 gauge type 304 stainless steel
8" High Splash.

- LEGS:**
- 1 5/8" diameter tubular stainless steel.
 - Stainless steel gussets.
 - Stainless Steel 1" adjustable bullet feet.

Bowl Size	O.A. Length	DRBD. Size	SPEC-LINE 94 Series		STANDARD 93 Series		SUPER SAVER 9 Series		Cu. Ft.
			Model #	WT.	Model #	WT.	Model #	WT.	
16" x 20"	54"	18"	14 Ga. 304 S/S 14" Water Level	97 lbs.	16 Ga. 304 S/S 12" Water Level	82 lbs.	18 Ga. 304 S/S 12" Water Level	71 lbs.	29
	66"	24"	94-1-24-24RL	118 lbs.	93-1-24-24RL	95 lbs.	9-1-24-24RL	95 lbs.	33
	90"	36"*	94-1-24-36RL	164 lbs.	93-1-24-36RL	134 lbs.	9-1-24-36RL	134 lbs.	48
20" x 20"	58"	18"	94-21-20-18RL	95 lbs.	93-21-20-18RL	78 lbs.	9-21-20-18RL	78 lbs.	26
	70"	24"	94-21-20-24RL	117 lbs.	93-21-20-24RL	92 lbs.	9-21-20-24RL	92 lbs.	34
	94"	36"*	94-21-20-36RL	168 lbs.	93-21-20-36RL	147 lbs.	9-21-20-36RL	147 lbs.	50
24" x 24"	74"	24"	94-41-24-24RL	213 lbs.	93-41-24-24RL	185 lbs.	9-41-24-24RL	185 lbs.	48
	98"	36"*	94-41-24-36RL	252 lbs.	93-41-24-36RL	210 lbs.	9-41-24-36RL	210 lbs.	64
20" x 28"	58"	18"	94-81-20-18RL	173 lbs.	93-81-20-18RL	150 lbs.	9-81-20-18RL	150 lbs.	46
	70"	24"	94-81-20-24RL	186 lbs.	93-81-20-24RL	165 lbs.	9-81-20-24RL	165 lbs.	55
	94"	36"*	94-81-20-36RL	225 lbs.	93-81-20-36RL	195 lbs.	9-81-20-36RL	195 lbs.	73

* Regalines with 36" Drainboards are Supplied with Two Additional Legs (per drainboard) for Support.

14" Water Level 18" Flood Level	12" Water Level 16" Flood Level	12" Water Level 16" Flood Level
------------------------------------	------------------------------------	------------------------------------

Weights & Cubes Are Approximate



Customer Service Available To Assist You **1-800-645-3166** 8:30 am - 7:00 pm E.S.T.

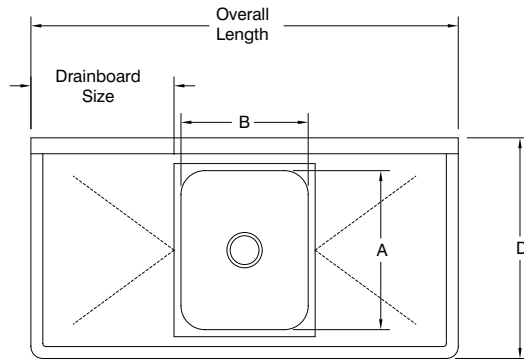
For Orders & Customer Service:
 Email: customer@advancetabco.com or Fax: 631-242-6900

For Smart Fabrication™ Quotes:
 Email: smartfab@advancetabco.com or Fax: 631-586-2933

DIMENSIONS and SPECIFICATIONS

TOL Overall: ± .500"
Interior: ± .250"

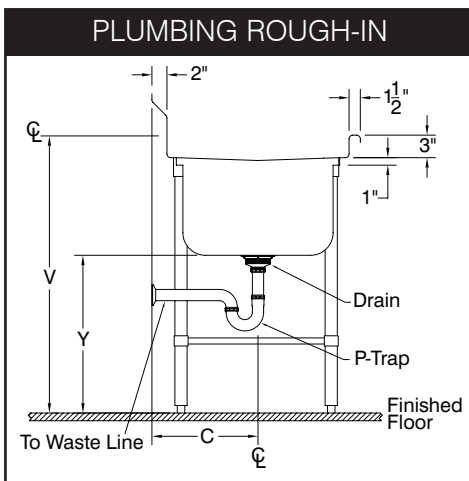
ALL DIMENSIONS ARE TYPICAL



DESCRIPTION

DESCRIPTION								94 SERIES					9 & 93 SERIES				
BOWL SIZE	Overall Length	DRBD SIZE	Recommended Use	A	B	C	D	V	W	X	Y	Z	V	W	X	Y	Z
16"x20"	54"	18"	DISH SINKS	20"	16"	14 1/8"	28"	38"	11"	14"	19"	45"	38"	8"	12"	21"	42"
	66"	24"															
	90"	*36"															
20"x20"	58"	18"	DISH & POT SINKS	20"	20"	14 1/8"	28"	38"	11"	14"	19"	45"	38"	8"	12"	21"	42"
	70"	24"															
	94"	*36"															
24"x24"	74"	24"	POT SINKS	24"	24"	16 1/8"	32"	38"	11"	14"	19"	45"	38"	8"	12"	21"	42"
	98"	*36"															
20"x28"	58"	18"	PAN SINKS	28"	20"	18 1/8"	36"	38"	11"	14"	19"	45"	38"	8"	12"	21"	42"
	70"	24"															
	94"	*36"															

* Regalines with 36" Drainboards are Supplied with Two Sets of Legs for Support.



MECHANICAL:

- Supply is 1/2" IPS hot & cold.
- Faucet holes on 8" centers.
- Faucets are not included (**see accessories**).
- Waste drains are 1 1/2" IPS S/S basket type, located in center of sink bowl, and are included.

