



STAINLESS STEEL

# REGALINE SINKS

## Three Compartments - One Drainboard

(Specify Drainboard Location)



**93 & 9 SERIES**  
Adjustable Side  
Cross-Bracing

**YES! It's SeaLess!**



Item #: \_\_\_\_\_ Qty #: \_\_\_\_\_  
 Model #: \_\_\_\_\_  
 Project #: \_\_\_\_\_



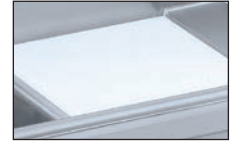
**94 SERIES**  
Adjustable Side &  
Front Cross-Bracing



93 & 9 Series Adjustable  
Side Cross-Bracing



94 Series Adjustable  
Side & Front Cross-Bracing



Recessed Bowl Surface  
Accommodates Poly-Vance  
Cutting Boards & Sink Covers

**FEATURES:**

Tile edge for ease of installation.

One piece **Deep Drawn** sink bowls with integral drainboards with splash.

All sink bowls have a large liberal 3" radius.

"94" Series is supplied with adjustable front and side cross braces featuring leg clamps.

"93" & "9" Series is supplied with adjustable side cross braces featuring leg clamps.

**CONSTRUCTION:**

All TIG welded.

Welded areas blended to match adjacent surfaces and to a satin finish.

**MATERIALS:**

**Spec-Line (94 Series):** 14 gauge type 304 stainless steel  
11" High Splash.

**Standard (93 Series):** 16 gauge type 304 stainless steel  
8" High Splash.

**Super Saver (9 Series):** 18 gauge type 304 stainless steel  
8" High Splash.

- LEGS:**
- 1 5/8" diameter tubular stainless steel.
  - Stainless steel gussets.
  - Stainless Steel 1" adjustable bullet feet.

Bowl Size	O.A. Length	DRBD. Size	SPEC-LINE 94 Series		STANDARD 93 Series		SUPER SAVER 9 Series		Cu. Ft.
			Model #	WT.	Model #	WT.	Model #	WT.	
<b>16" x 20"</b>	79"	18"	<b>14 Ga. 304 S/S</b> 14" Water Level	94-3-54-18R or L 214 lbs.	<b>16 Ga. 304 S/S</b> 12" Water Level	93-3-54-18R or L 173 lbs.	<b>18 Ga. 304 S/S</b> 12" Water Level	9-3-54-18R or L 167 lbs.	42
	84"	24"		94-3-54-24R or L 222 lbs.		93-3-54-24R or L 188 lbs.		9-3-54-24R or L 177 lbs.	45
	96"	36"*		94-3-54-36R or L 243 lbs.		93-3-54-36R or L 220 lbs.		9-3-54-36R or L 190 lbs.	51
<b>20" x 20"</b>	90"	18"		94-23-60-18R or L 234 lbs.		93-23-60-18R or L 207 lbs.		9-23-60-18R or L 184 lbs.	52
	96"	24"		94-23-60-24R or L 245 lbs.		93-23-60-24R or L 205 lbs.		9-23-60-24R or L 193 lbs.	55
	108"	36"*		94-23-60-36R or L 252 lbs.		93-23-60-36R or L 216 lbs.		9-23-60-36R or L 208 lbs.	60
<b>24" x 24"</b>	†108"	24"		94-43-72-24R or L 342 lbs.		93-43-72-24R or L 312 lbs.		9-43-72-24R or L 298 lbs.	68
	†120"	36"*		94-43-72-36R or L 365 lbs.		93-43-72-36R or L 339 lbs.		9-43-72-36R or L 320 lbs.	96
<b>20" x 28"</b>	90"	18"		94-83-60-18R or L 281 lbs.		93-83-60-18R or L 232 lbs.		9-83-60-18R or L 225 lbs.	79
	96"	24"		94-83-60-24R or L 296 lbs.		93-83-60-24R or L 273 lbs.		9-83-60-24R or L 268 lbs.	86
	108"	36"*		94-83-60-36R or L 308 lbs.		93-83-60-36R or L 287 lbs.		9-83-60-36R or L 277 lbs.	89
* Regalines with 36" Drainboards are Supplied with Two Additional Legs (per drainboard) for Support.				14" Water Level 18" Flood Level		12" Water Level 16" Flood Level		12" Water Level 16" Flood Level	
† Requires Two Faucets									

Weights & Cubes Are Approximate



Customer Service Available To Assist You 1-800-645-3166 8:30 am - 7:00 pm E.S.T.

For Orders & Customer Service:

Email: customer@advancetabco.com or Fax: 631-242-6900

For Smart Fabrication™ Quotes:

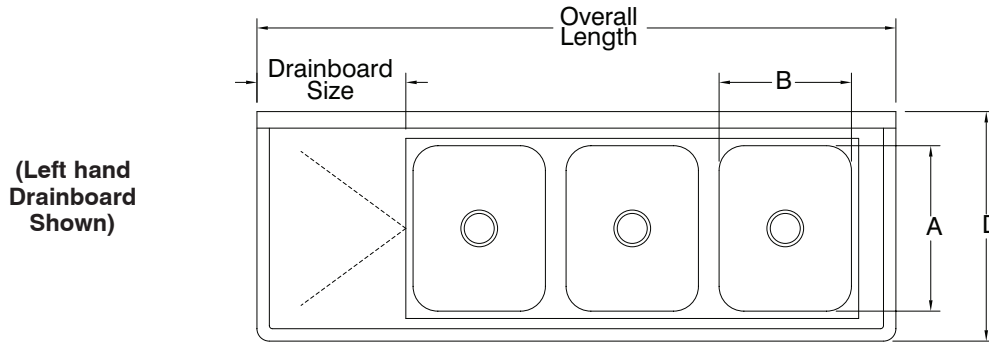
Email: smartfab@advancetabco.com or Fax: 631-586-2933

# DIMENSIONS and SPECIFICATIONS

TOL Overall: ± .500"  
Interior: ± .250"

ALL DIMENSIONS ARE TYPICAL

(SPECIFY DRAINBOARD LOCATION)



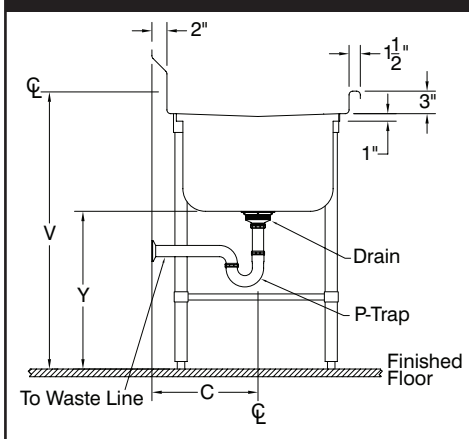
## DESCRIPTION

BOWL SIZE	Overall Length	DRBD SIZE	Recommended Use	A	B	C	D	94 SERIES					9 & 93 SERIES				
								V	W	X	Y	Z	V	W	X	Y	Z
16"x20"	79"	18"	DISH SINKS	20"	16"	14 1/8"	28"	38"	11"	14"	19"	45"	38"	8"	12"	21"	42"
	84"	24"															
	96"	*36"															
20"x20"	90"	18"	DISH & POT SINKS	20"	20"	14 1/8"	28"	38"	11"	14"	19"	45"	38"	8"	12"	21"	42"
	96"	24"															
	108"	*36"															
24"x24"	†108"	24"	POT SINKS	24"	24"	16 1/8"	32"	38"	11"	14"	19"	45"	38"	8"	12"	21"	42"
	†120"	*36"															
20"x28"	90"	18"	PAN SINKS	28"	20"	18 1/8"	36"	38"	11"	14"	19"	45"	38"	8"	12"	21"	42"
	96"	24"															
	108"	*36"															

† Requires Two Faucets.

\* Regalines with 36" Drainboards are Supplied with Two Additional Legs (per drainboard) for Support.

## PLUMBING ROUGH-IN



## MECHANICAL:

- Supply is 1/2" IPS hot & cold.
- Faucet holes on 8" centers.
- Faucets are not included (see accessories).
- Waste drains are 1 1/2" IPS S/S basket type, located in center of sink bowl, and are included.



## SECTION

