



STAINLESS STEEL
REGALINE SINKS
 Two Compartments - One Drainboard
 (Specify Drainboard Location)



93 & 9 SERIES
Adjustable Side
Cross-Bracing



94 SERIES
Adjustable Side &
Front Cross-Bracing

YES! It's SeaLess!



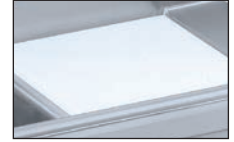
Item #: _____ Qty #: _____
 Model #: _____
 Project #: _____



93 & 9 Series Adjustable
Side Cross-Bracing



94 Series Adjustable
Side & Front Cross-Bracing



Recessed Bowl Surface
Accommodates Poly-Vance
Cutting Boards & Sink Covers

FEATURES:

Tile edge for ease of installation.
 One piece **Deep Drawn** sink bowls with integral drainboards with splash.
 All sink bowls have a large liberal 3" radius.
"94" Series is supplied with adjustable front and side cross braces featuring leg clamps.
"93" & "9" Series is supplied with adjustable side cross braces featuring leg clamps.

CONSTRUCTION:

All TIG welded.
 Welded areas blended to match adjacent surfaces and to a satin finish.

MATERIALS:

- Spec-Line (94 Series):** 14 gauge type 304 stainless steel
11" High Splash.
- Standard (93 Series):** 16 gauge type 304 stainless steel
8" High Splash.
- Super Saver (9 Series):** 18 gauge type 304 stainless steel
8" High Splash.

- LEGS:**
- 1 5/8" diameter tubular stainless steel.
 - Stainless steel gussets.
 - Stainless Steel 1" adjustable bullet feet.

Bowl Size	O.A. Length	DRBD. Size	SPEC-LINE 94 Series		STANDARD 93 Series		SUPER SAVER 9 Series		Cu. Ft.
			Model #	WT.	Model #	WT.	Model #	WT.	
16" x 20"	59"	18"	14 Ga. 304 S/S 14" Water Level		16 Ga. 304 S/S 12" Water Level		18 Ga. 304 S/S 12" Water Level		
	65"	24"	94-2-36-18R or L	108 lbs.	93-2-36-18R or L	88 lbs.	9-2-36-18R or L	72 lbs.	26
	77"	36"*	94-2-36-24R or L	115 lbs.	93-2-36-24R or L	96 lbs.	9-2-36-24R or L	80 lbs.	34
20" x 20"	67"	18"	94-2-36-36R or L	158 lbs.	93-2-36-36R or L	132 lbs.	9-2-36-36R or L	115 lbs.	42
	73"	24"	94-22-40-18R or L	118 lbs.	93-22-40-18R or L	96 lbs.	9-22-40-18R or L	83 lbs.	30
	85"	36"*	94-22-40-24R or L	136 lbs.	93-22-40-24R or L	114 lbs.	9-22-40-24R or L	95 lbs.	39
24" x 24"	81"	24"	94-22-40-36R or L	163 lbs.	93-22-40-36R or L	140 lbs.	9-22-40-36R or L	123 lbs.	46
	93"	36"*	94-42-48-24R or L	229 lbs.	93-42-48-24R or L	194 lbs.	9-42-48-24R or L	172 lbs.	53
	93"	36"*	94-42-48-36R or L	261 lbs.	93-42-48-36R or L	235 lbs.	9-42-48-36R or L	194 lbs.	60
20" x 28"	67"	18"	94-82-40-18R or L	213 lbs.	93-82-40-18R or L	183 lbs.	9-82-40-18R or L	167 lbs.	60
	73"	24"	94-82-40-24R or L	227 lbs.	93-82-40-24R or L	195 lbs.	9-82-40-24R or L	176 lbs.	64
	85"	36"*	94-82-40-36R or L	266 lbs.	93-82-40-36R or L	227 lbs.	9-82-40-36R or L	207 lbs.	76
* Regalines with 36" Drainboards are Supplied with Two Additional Legs for Support.			14" Water Level 18" Flood Level		12" Water Level 16" Flood Level		12" Water Level 16" Flood Level		



Customer Service Available To Assist You **1-800-645-3166** 8:30 am - 7:00 pm E.S.T.

For Orders & Customer Service:
 Email: customer@advancetabco.com or Fax: 631-242-6900

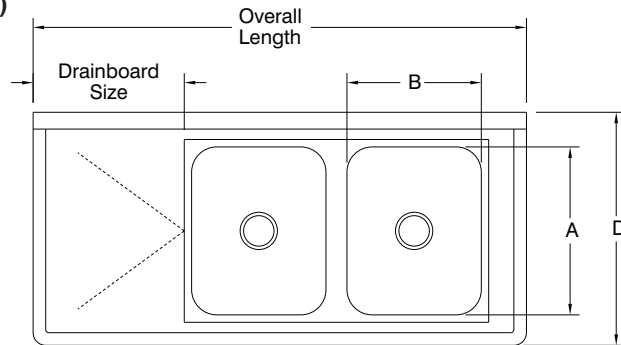
For Smart Fabrication™ Quotes:
 Email: smartfab@advancetabco.com or Fax: 631-586-2933

DIMENSIONS and SPECIFICATIONS

TOL Overall: ± .500"
Interior: ± .250"

ALL DIMENSIONS ARE TYPICAL

(SPECIFY DRAINBOARD LOCATION)



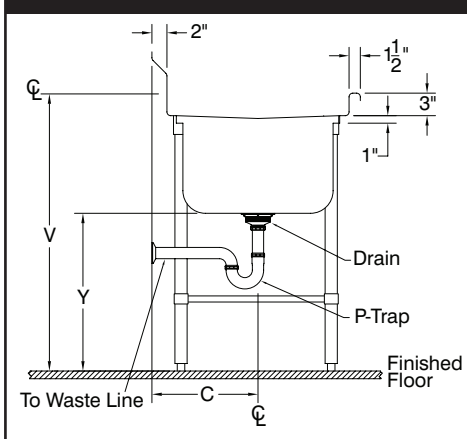
(Left hand Drainboard Shown)

DESCRIPTION

DESCRIPTION								94 SERIES					9 & 93 SERIES				
BOWL SIZE	Overall Length	DRBD SIZE	Recommended Use	A	B	C	D	V	W	X	Y	Z	V	W	X	Y	Z
16" x 20"	59"	18"	DISH SINKS	20"	16"	14 1/8"	28"	38"	11"	14"	19"	45"	38"	8"	12"	21"	42"
	65"	24"															
	77"	*36"															
20" x 20"	67"	18"	DISH & POT SINKS	20"	20"	14 1/8"	28"	38"	11"	14"	19"	45"	38"	8"	12"	21"	42"
	73"	24"															
	85"	*36"															
24" x 24"	81"	24"	POT SINKS	24"	24"	16 1/8"	32"	38"	11"	14"	19"	45"	38"	8"	12"	21"	42"
	93"	*36"															
20" x 28"	67"	18"	PAN SINKS	28"	20"	18 1/8"	36"	38"	11"	14"	19"	45"	38"	8"	12"	21"	42"
	73"	24"															
	85"	*36"															

*Regalines with 36" Drainboards are Supplied with Two Additional Legs for Support.

PLUMBING ROUGH-IN



MECHANICAL:

- Supply is 1/2" IPS hot & cold.
- Faucet holes on 8" centers.
- Faucets are not included (see accessories).
- Waste drains are 1 1/2" IPS S/S basket type, located in center of sink bowl, and are included.



SECTION

