



STAINLESS STEEL
REGALINE SINKS
 Four Compartments - Two Drainboards



93 & 9 SERIES
Adjustable Side
Cross-Bracing



94 SERIES
Adjustable Side &
Front Cross-Bracing

YES! It's SeaLess!



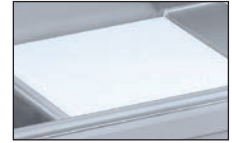
Item #: _____ Qty #: _____
 Model #: _____
 Project #: _____



93 & 9 Series Adjustable
Side Cross-Bracing



94 Series Adjustable
Side & Front Cross-Bracing



Recessed Bowl Surface
Accommodates Poly-Vance
Cutting Boards & Sink Covers

FEATURES:

Tile edge for ease of installation.

One piece **Deep Drawn** sink bowls with integral drainboards with splash.

All sink bowls have a large liberal 3" radius.

"94" Series is supplied with adjustable front and side cross braces featuring leg clamps.

"93" & "9" Series is supplied with adjustable side cross braces featuring leg clamps.

CONSTRUCTION:

All TIG welded.

Welded areas blended to match adjacent surfaces and to a satin finish.

MATERIALS:

Spec-Line (94 Series): 14 gauge type 304 stainless steel
11" High Splash.

Standard (93 Series): 16 gauge type 304 stainless steel
8" High Splash.

Super Saver (9 Series): 18 gauge type 304 stainless steel
8" High Splash.

- LEGS:**
- 1 5/8" diameter tubular stainless steel.
 - Stainless steel gussets.
 - Stainless Steel 1" adjustable bullet feet.

Bowl Size	O.A. Length	DRBD. Size	SPEC-LINE 94 Series		STANDARD 93 Series		SUPER SAVER 9 Series		Cu. Ft.
			Model #	WT.	Model #	WT.	Model #	WT.	
16" x 20"	110"	18"	14 Ga. 304 S/S 14" Water Level		16 Ga. 304 S/S 12" Water Level		18 Ga. 304 S/S 12" Water Level		
	122"	24"	94-4-72-18RL	210 lbs.	93-4-72-18RL	183 lbs.	9-4-72-18RL	175 lbs.	58
	146"	36"*	94-4-72-24RL	275 lbs.	93-4-72-24RL	252 lbs.	9-4-72-24RL	241 lbs.	64
20" x 20"	126"	18"	94-4-72-36RL	313 lbs.	93-4-72-36RL	287 lbs.	9-4-72-36RL	274 lbs.	86
	138"	24"	94-24-80-18RL	293 lbs.	93-24-80-18RL	268 lbs.	9-24-80-18RL	259 lbs.	87
	162"	36"*	94-24-80-24RL	312 lbs.	93-24-80-24RL	286 lbs.	9-24-80-24RL	275 lbs.	95
24" x 24"	154"	24"	94-24-80-36RL	351 lbs.	93-24-80-36RL	322 lbs.	9-24-80-36RL	308 lbs.	111
	178"	36"*	94-44-96-24RL	395 lbs.	93-44-96-24RL	361 lbs.	9-44-96-24RL	348 lbs.	106
	178"	36"*	94-44-96-36RL	431 lbs.	93-44-96-36RL	398 lbs.	9-44-96-36RL	382 lbs.	122
20" x 28"	126"	18"	94-84-80-18RL	382 lbs.	93-84-80-18RL	361 lbs.	9-84-80-18RL	350 lbs.	97
	138"	24"	94-84-80-24RL	402 lbs.	93-84-80-24RL	374 lbs.	9-84-80-24RL	361 lbs.	106
	162"	36"*	94-84-80-36RL	442 lbs.	93-84-80-36RL	411 lbs.	9-84-80-36RL	395 lbs.	124

* Regalines with 36" Drainboards are Supplied with Two Additional Legs (per drainboard) for Support.

All Sinks Require Two Faucets

Weights & Cubes Are Approximate

Customer Service Available To Assist You **1-800-645-3166** 8:30 am - 7:00 pm E.S.T.



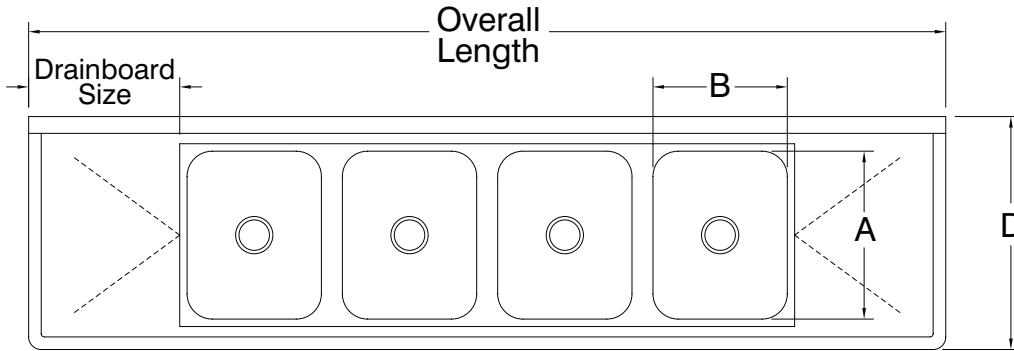
For Orders & Customer Service:
 Email: customer@advancetabco.com or Fax: 631-242-6900

For Smart Fabrication™ Quotes:
 Email: smartfab@advancetabco.com or Fax: 631-586-2933

DIMENSIONS and SPECIFICATIONS

TOL Overall: ± .500"
Interior: ± .250"

ALL DIMENSIONS ARE TYPICAL

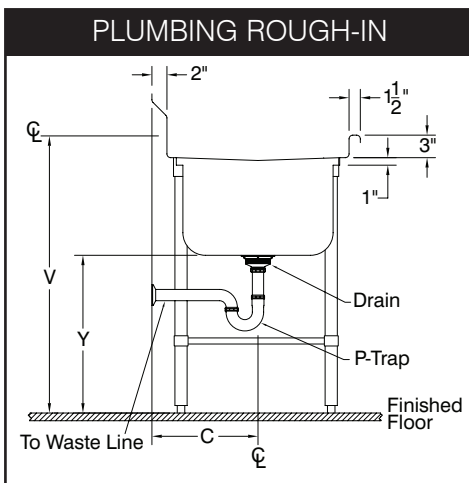


DESCRIPTION

DESCRIPTION								94 SERIES					9 & 93 SERIES				
BOWL SIZE	Overall Length	DRBD SIZE	Recommended Use	A	B	C	D	V	W	X	Y	Z	V	W	X	Y	Z
16" x 20"	110"	18"	DISH SINKS	20"	16"	14 1/8"	28"	38"	11"	14"	19"	45"	38"	8"	12"	21"	42"
	122"	24"															
	146"	*36"															
20" x 20"	126"	18"	DISH & POT SINKS	20"	20"	14 1/8"	28"	38"	11"	14"	19"	45"	38"	8"	12"	21"	42"
	138"	24"															
	162"	*36"															
24" x 24"	154"	24"	POT SINKS	24"	24"	16 1/8"	32"	38"	11"	14"	19"	45"	38"	8"	12"	21"	42"
	178"	*36"															
20" x 28"	126"	18"	PAN SINKS	28"	20"	18 1/8"	36"	38"	11"	14"	19"	45"	38"	8"	12"	21"	42"
	138"	24"															
	162"	*36"															

All Sinks Require Two Faucets

* Regalines with 36" Drainboards are Supplied with Two Additional Legs (per drainboard) for Support.



MECHANICAL:

- Supply is 1/2" IPS hot & cold.
- Faucet holes on 8" centers.
- Faucets are not included (see accessories).
- Waste drains are 1 1/2" IPS S/S basket type, located in center of sink bowl, and are included.

