



STAINLESS STEEL
REGALINE SINKS
 Two Compartment - Two Drainboards

YES! It's SeaLess!



Item #: _____ Qty #: _____
 Model #: _____
 Project #: _____



93 & 9 SERIES
 Adjustable Side
 Cross-Bracing



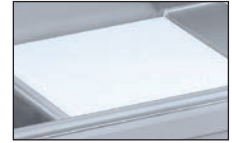
94 SERIES
 Adjustable Side &
 Front Cross-Bracing



93 & 9 Series Adjustable
 Side Cross-Bracing



94 Series Adjustable
 Side & Front Cross-Bracing



Recessed Bowl Surface
 Accommodates Poly-Vance
 Cutting Boards & Sink Covers

FEATURES:

Tile edge for ease of installation.
 One piece **Deep Drawn** sink bowls with integral drainboards with splash.
 All sink bowls have a large liberal 3" radius.
"94" Series is supplied with adjustable front and side cross braces featuring leg clamps.
"93" & "9" Series is supplied with adjustable side cross braces featuring leg clamps.

CONSTRUCTION:

All TIG welded.
 Welded areas blended to match adjacent surfaces and to a satin finish.

MATERIALS:

- Spec-Line (94 Series):** 14 gauge type 304 stainless steel
11" High Splash.
- Standard (93 Series):** 16 gauge type 304 stainless steel
8" High Splash.
- Super Saver (9 Series):** 18 gauge type 304 stainless steel
8" High Splash.

- LEGS:**
- 1 5/8" diameter tubular stainless steel.
 - Stainless steel gussets.
 - Stainless Steel 1" adjustable bullet feet.

| Bowl Size | O.A. Length | DRBD. Size | SPEC-LINE 94 Series | | STANDARD 93 Series | | SUPER SAVER 9 Series | | Cu. Ft. |
|--|-------------|------------|--|----------|--|----------|--|----------|---------|
| | | | Model # | WT. | Model # | WT. | Model # | WT. | |
| 16" x 20" | 72" | 18" | 14 Ga. 304 S/S 14" Water Level | 141 lbs. | 16 Ga. 304 S/S 12" Water Level | 118 lbs. | 18 Ga. 304 S/S 12" Water Level | 100 lbs. | 40 |
| | 85" | 24" | 94-2-36-24RL | 156 lbs. | 93-2-36-24RL | 130 lbs. | 9-2-36-24RL | 110 lbs. | 46 |
| | 109" | 36"* | 94-2-36-36RL | 212 lbs. | 93-2-36-36RL | 169 lbs. | 9-2-36-36RL | 144 lbs. | 58 |
| 20" x 20" | 81" | 18" | 94-22-40-18RL | 176 lbs. | 93-22-40-18RL | 147 lbs. | 9-22-40-18RL | 125 lbs. | 44 |
| | 93" | 24" | 94-22-40-24RL | 220 lbs. | 93-22-40-24RL | 184 lbs. | 9-22-40-24RL | 162 lbs. | 50 |
| | 117" | 36"* | 94-22-40-36RL | 273 lbs. | 93-22-40-36RL | 237 lbs. | 9-22-40-36RL | 215 lbs. | 72 |
| 24" x 24" | 101" | 24" | 94-42-48-24RL | 339 lbs. | 93-42-48-24RL | 295 lbs. | 9-42-48-24RL | 259 lbs. | 65 |
| | 125" | 36"* | 94-42-48-36RL | 391 lbs. | 93-42-48-36RL | 339 lbs. | 9-42-48-36RL | 314 lbs. | 96 |
| 20" x 28" | 81" | 18" | 94-82-40-18RL | 251 lbs. | 93-82-40-18RL | 219 lbs. | 9-82-40-18RL | 194 lbs. | 64 |
| | 93" | 24" | 94-82-40-24RL | 294 lbs. | 93-82-40-24RL | 253 lbs. | 9-82-40-24RL | 228 lbs. | 73 |
| | 117" | 36"* | 94-82-40-36RL | 333 lbs. | 93-82-40-36RL | 287 lbs. | 9-82-40-36RL | 261 lbs. | 96 |
| * Regalines with 36" Drainboards are Supplied with Two Additional Legs (per drainboard) for Support. | | | 14" Water Level 18" Flood Level | | 12" Water Level 16" Flood Level | | 12" Water Level 16" Flood Level | | |

Weights & Cubes Are Approximate



Customer Service Available To Assist You **1-800-645-3166** 8:30 am - 7:00 pm E.S.T.

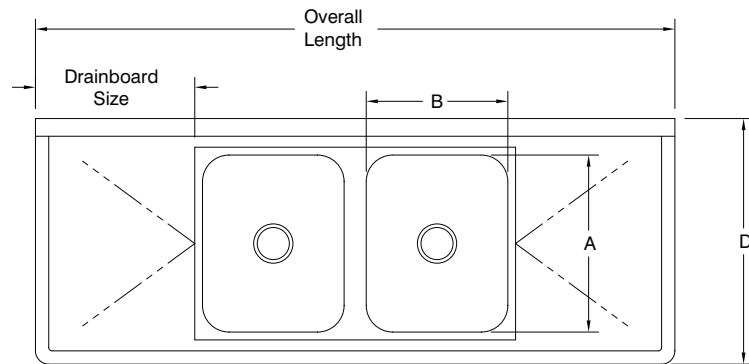
For Orders & Customer Service:
 Email: customer@advancetabco.com or Fax: 631-242-6900

For Smart Fabrication™ Quotes:
 Email: smartfab@advancetabco.com or Fax: 631-586-2933

DIMENSIONS and SPECIFICATIONS

TOL Overall: ± .500"
Interior: ± .250"

ALL DIMENSIONS ARE TYPICAL

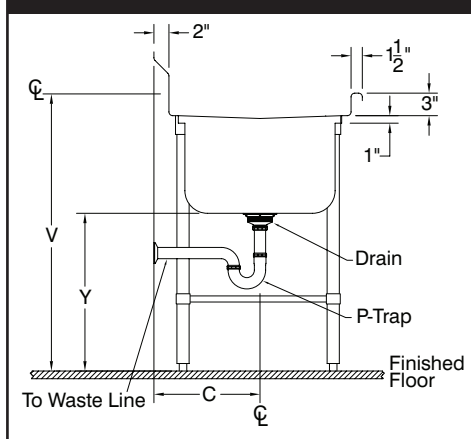


DESCRIPTION

| | | | | | | | | 94 SERIES | | | | | 9 & 93 SERIES | | | | |
|-----------|----------------|-----------|------------------|-----|-----|---------|-----|-----------|-----|-----|-----|-----|---------------|----|-----|-----|-----|
| BOWL SIZE | Overall Length | DRBD SIZE | Recommended Use | A | B | C | D | V | W | X | Y | Z | V | W | X | Y | Z |
| 16"x20" | 72" | 18" | DISH SINKS | 20" | 16" | 14 1/8" | 28" | 38" | 11" | 14" | 19" | 45" | 38" | 8" | 12" | 21" | 42" |
| | 85" | 24" | | | | | | | | | | | | | | | |
| | 109" | *36" | | | | | | | | | | | | | | | |
| 20"x20" | 81" | 18" | DISH & POT SINKS | 20" | 20" | 14 1/8" | 28" | 38" | 11" | 14" | 19" | 45" | 38" | 8" | 12" | 21" | 42" |
| | 93" | 24" | | | | | | | | | | | | | | | |
| | 117" | *36" | | | | | | | | | | | | | | | |
| 24"x24" | 101" | 24" | POT SINKS | 24" | 24" | 16 1/8" | 32" | 38" | 11" | 14" | 19" | 45" | 38" | 8" | 12" | 21" | 42" |
| | 125" | *36" | | | | | | | | | | | | | | | |
| 20"x28" | 81" | 18" | PAN SINKS | 28" | 20" | 18 1/8" | 36" | 38" | 11" | 14" | 19" | 45" | 38" | 8" | 12" | 21" | 42" |
| | 93" | 24" | | | | | | | | | | | | | | | |
| | 117" | *36" | | | | | | | | | | | | | | | |

* Regalines with 36" Drainboards are Supplied with Two Additional Legs (per drainboard) for Support.

PLUMBING ROUGH-IN



MECHANICAL:

- Supply is 1/2" IPS hot & cold.
- Faucet holes on 8" centers.
- Faucets are not included (**see accessories**).
- Waste drains are 1 1/2" IPS S/S basket type, located in center of sink bowl, and are included.



SECTION

