



STAINLESS STEEL

# REGALINE SINKS

## Three & Four Compartments without Drainboards



**93 & 9 SERIES**  
Adjustable Side  
Cross-Bracing



**94 SERIES**  
Adjustable Side &  
Front Cross-Bracing



Item #: \_\_\_\_\_ Qty #: \_\_\_\_\_

Model #: \_\_\_\_\_

Project #: \_\_\_\_\_



93 & 9 Series Adjustable  
Side Cross-Bracing



94 Series Adjustable  
Side & Front Cross-Bracing



Recessed Bowl Surface  
Accommodates Poly-Vance  
Cutting Boards & Sink Covers

### FEATURES:

- Tile edge for ease of installation.
- One piece **Deep Drawn** sink bowls with splash.
- All sink bowls have a large liberal 3" radius.
- "94" Series is supplied with adjustable front and side cross braces featuring leg clamps.
- "93" & "9" Series is supplied with adjustable side cross braces featuring leg clamps.

### CONSTRUCTION:

- All TIG welded.
- Welded areas blended to match adjacent surfaces and to a satin finish.
- Gussets welded to a die-embossed reinforcing channel.

### MATERIALS:

- Spec-Line (94 Series):** 14 gauge type 304 stainless steel 11" High Splash.
- Standard (93 Series):** 16 gauge type 304 stainless steel 8" High Splash.
- Super Saver (9 Series):** 18 gauge type 304 stainless steel 8" High Splash.

- LEGS:**
- 1 5/8" diameter tubular stainless steel.
  - Stainless steel gussets.
  - Stainless Steel 1" adjustable bullet feet.

**YES! It's SeaLess!**

Bowl Size	O.A. Length	# of Comp.	SPEC-LINE 94 Series		STANDARD 93 Series		SUPER SAVER 9 Series		Cu. Ft.
			Model #	WT.	Model #	WT.	Model #	WT.	
<b>16" x 20"</b>	64"	Three	<b>14 Ga. 304 S/S</b> 14" Water Level	<b>94-3-54</b> 142 lbs.	<b>16 Ga. 304 S/S</b> 12" Water Level	<b>93-3-54</b> 107 lbs.	<b>18 Ga. 304 S/S</b> 12" Water Level	<b>9-3-54</b> 95 lbs.	28
	†83"	Four	<b>94-4-72</b> 225 lbs.	<b>93-4-72</b> 176 lbs.	<b>9-4-72</b> 155 lbs.	44			
<b>20" x 20"</b>	76"	Three	<b>94-23-60</b> 232 lbs.	<b>93-23-60</b> 188 lbs.	<b>9-23-60</b> 169 lbs.	44			
	†99"	Four	<b>94-24-80</b> 285 lbs.	<b>93-24-80</b> 210 lbs.	<b>9-24-80</b> 192 lbs.	56			
<b>24" x 24"</b>	†88"	Three	<b>94-43-72</b> 252 lbs.	<b>93-43-72</b> 213 lbs.	<b>9-43-72</b> 200 lbs.	56			
	†115"	Four	<b>94-44-96</b> 347 lbs.	<b>93-44-96</b> 302 lbs.	<b>9-44-96</b> 281 lbs.	74			
<b>20" x 28"</b>	76"	Three	<b>94-83-60</b> 255 lbs.	<b>93-83-60</b> 225 lbs.	<b>9-83-60</b> 216 lbs.	65			
	†99"	Four	<b>94-84-80</b> 345 lbs.	<b>93-84-80</b> 310 lbs.	<b>9-84-80</b> 287 lbs.	78			
† Requires 2 Faucets			<b>14" Water Level</b> <b>17" Flood Level</b>	<b>12" Water Level</b> <b>15" Flood Level</b>	<b>12" Water Level</b> <b>15" Flood Level</b>				



Customer Service Available To Assist You **1-800-645-3166** 8:30 am - 7:00 pm E.S.T.

For Orders & Customer Service:

Email: customer@advancetabco.com or Fax: 631-242-6900

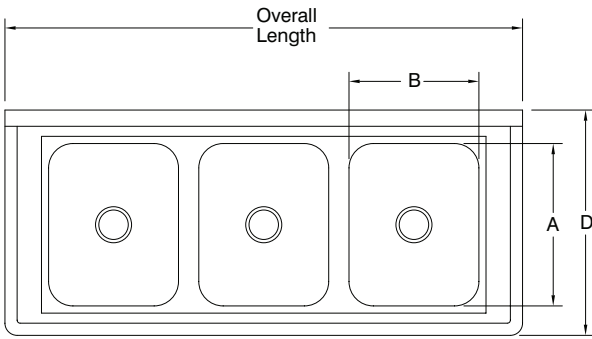
For Smart Fabrication™ Quotes:

Email: smartfab@advancetabco.com or Fax: 631-586-2933

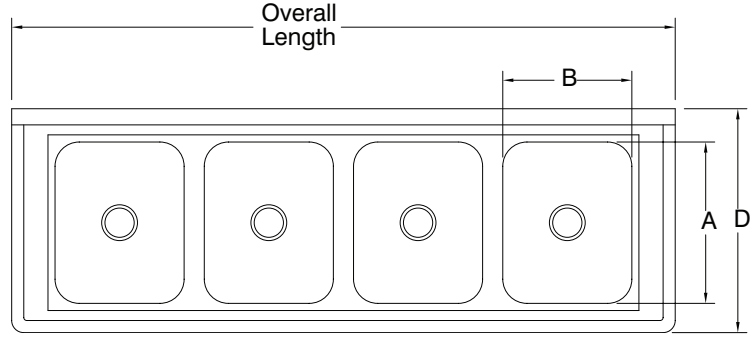
# DIMENSIONS and SPECIFICATIONS

TOL Overall: ± .500"  
Interior: ± .250"

ALL DIMENSIONS ARE TYPICAL



3 Compartment



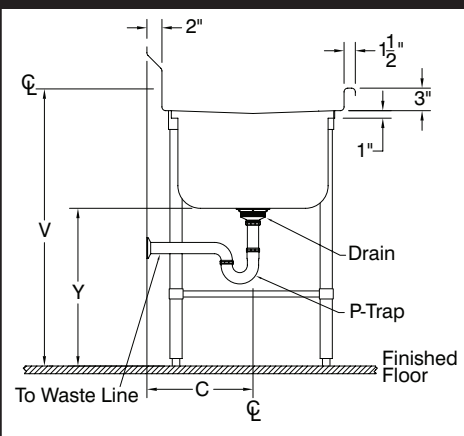
4 Compartment

## DESCRIPTION

BOWL SIZE	# Of Compart.	DRBD SIZE	Recommended Use	A	B	C	D	94 SERIES					9 & 93 SERIES				
								V	W	X	Y	Z	V	W	X	Y	Z
16"x20"	Three Four	64" †83"	DISH SINKS	20"	16"	14 1/8"	28"	38"	11"	14"	19"	45"	38"	8"	12"	21"	42"
20"x20"	Three Four	76" †99"	DISH & POT SINKS	20"	20"	14 1/8"	28"	38"	11"	14"	19"	45"	38"	8"	12"	21"	42"
24"x24"	Three Four	*88" †115"	POT SINKS	24"	24"	16 1/8"	32"	38"	11"	14"	19"	45"	38"	8"	12"	21"	42"
20"x28"	Three Four	76" †99"	PAN SINKS	28"	20"	18 1/8"	36"	38"	11"	14"	19"	45"	38"	8"	12"	21"	42"

\* Requires 2 Faucets

## PLUMBING ROUGH-IN



## MECHANICAL:

- Supply is 1/2" IPS hot & cold.
- Faucet holes on 8" centers.
- Faucets are not included (**see accessories**).
- Waste drains are 1 1/2" IPS S/S basket type, located in center of sink bowl, and are included.



## SECTION

