



STAINLESS STEEL

REGALINE CORNER SINKS



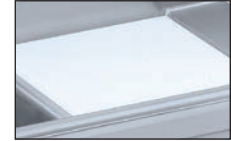
FEATURING A
TILE EDGE DESIGN



Item #: _____	Qty #: _____
Model #: _____	
Project #: _____	



Includes Adjustable Side Cross-Bracing



Recessed Bowl Surface Accommodates Poly-Vance Cutting Boards & Sink Covers

All units furnished with 2 integral drainboards

FEATURES:

- Tile edge for ease of installation.
- One piece **Deep Drawn** sink bowls with integral drainboards with splash.
- Featuring the single bowl unit design.
- All sink bowls have a large liberal 3" radius (10"x14" bowls have 2" Radius).
- Corner sinks are supplied with adjustable side cross braces featuring leg clamps.

CONSTRUCTION:

- All TIG welded.
- Welded areas blended to match adjacent surfaces and to a satin finish.
- Gussets welded to a die-embossed reinforcing channel.

MATERIAL:

- Unit is 16 gauge, type "304" stainless steel.
- Legs are 1 5/8" diameter heavy gauge tubular stainless steel with stainless steel gussets.
- 1" adjustable stainless steel bullet feet.

MECHANICAL:

- Supply is 1/2" IPS hot & cold.
- Faucet holes on 8" centers.
- Faucets are not included (**see accessories**).
- Waste drains are 1 1/2" IPS S/S basket type, located in center of sink bowl, and are included.

MODEL #	# of Comp.	Wall Dimension	Optional Poly-Vance Cutting Board
94-K2-24D	3	71 1/2" x 71 1/2"	K-2E
94-K4-24D	3	79 1/2" x 79 1/2"	K-2F
94-K6-18D	3	61 1/2" x 61 1/2"	K-2E
94-K8-30D	3	85 1/2" x 85 1/2"	K-2E
94-K3-11D	3	54 1/2" x 54 1/2"	K-2H
94-K5-11D	3	41 1/2" x 41 1/2"	K-2H

YES! It's SeaLess!

ACCESSORIES	Model #	Qty
FAUCETS		

All Units Require 2 Sets of Faucets



Customer Service Available To Assist You 1-800-645-3166 8:30 am - 7:00 pm E.S.T.

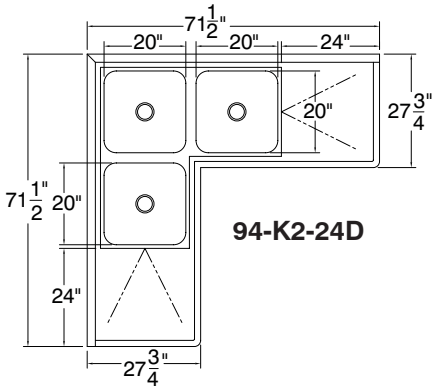
For Orders & Customer Service:
Email: customer@advancetabco.com or Fax: 631-242-6900

For Smart Fabrication™ Quotes:
Email: smartfab@advancetabco.com or Fax: 631-586-2933

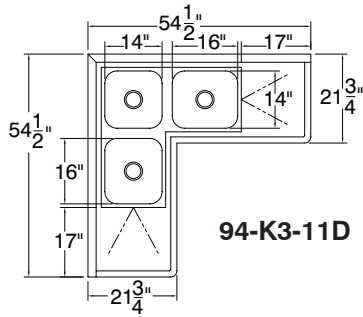
DIMENSIONS and SPECIFICATIONS

TOL Overall: ± .500"
Interior: ± .250"

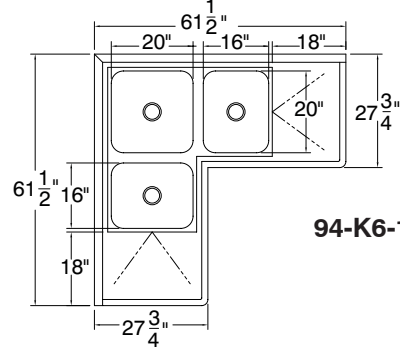
ALL DIMENSIONS ARE TYPICAL



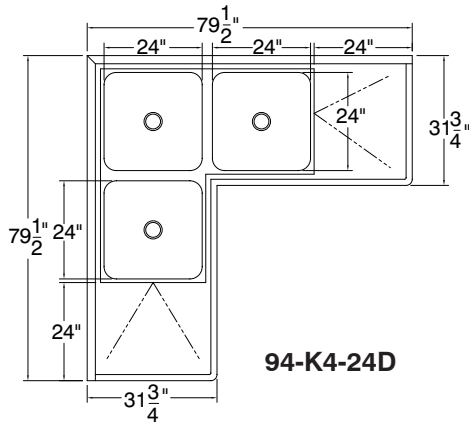
94-K2-24D



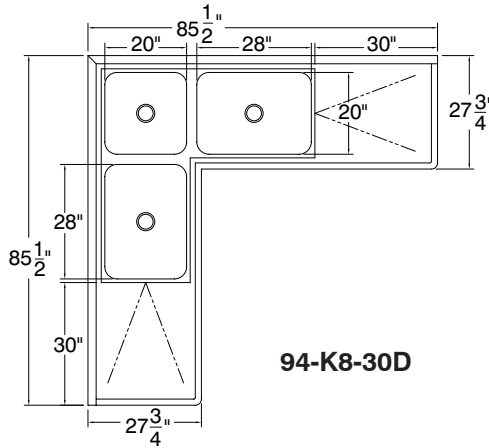
94-K3-11D



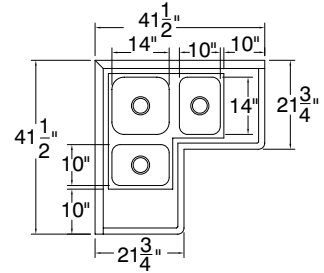
94-K6-18D



94-K4-24D

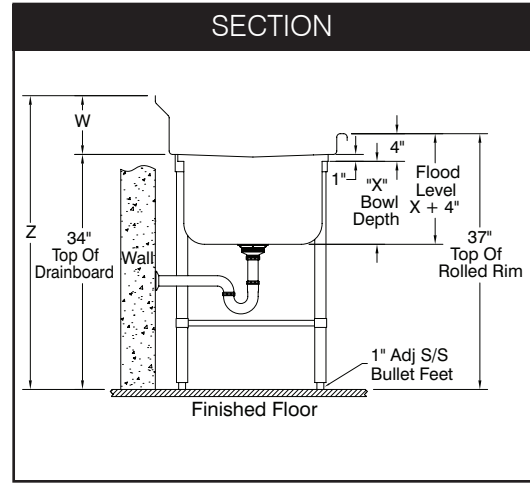
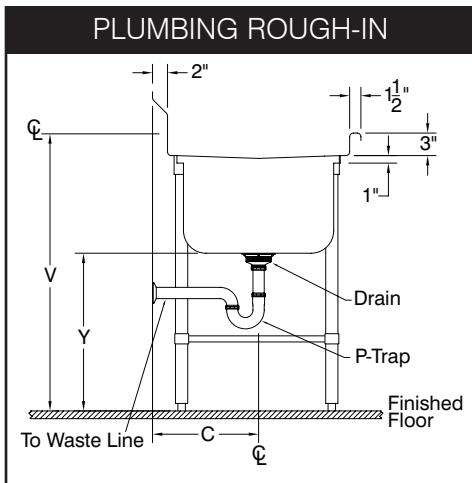


94-K8-30D



94-K5-11D

NOTE: Drainboards Under 12" or Over 36" Does Not Have Pitch or Crease



Model #	V	W	X	Y	Z
94-K2-24D	38"	8"	12"	21"	45"
94-K4-24D	38"	8"	12"	21"	45"
94-K6-18D	38"	8"	12"	21"	45"
94-K8-30D	38"	8"	12"	21"	45"
94-K3-11D	38"	8"	12"	21"	45"
94-K5-11D	38"	8"	10"	23"	45"

