



TOP SHELF DUMP SINKS
TS Series and TSF Series Sinks

MODEL NUMBERS - TS12DS, TSF12DS, TS18DS



JOB	
AREA	
ITEM NO.	
MODEL NO.	

MODELS	
TS SERIES	TSF SERIES
TS12DS	TSF12DS
TS18DS	



TS18DS
(Shown with faucet)



TS12DS
(Shown with faucet)



TSF12DS
(Shown with faucet)

KEY PRODUCT FEATURES AND BENEFITS

- Drawn, 18 gauge stainless steel sink bowl and work surface has a long life span and is dent resistant, even under heavy use.
- Seamless 18 gauge stainless steel front apron for durability and easy of cleaning.
- Our new, more robust Perlick Quick Clamp leg attachment still features easy tool-less installation, when legs are used.
- Stainless steel legs with adjustable thermoplastic feet install without tools for freestanding applications.

Additional Features:

- All stainless steel construction.
- Optional Perlick Flex Mount leg relocation kit moves rear legs forward for additional space behind the equipment or moves forward legs rearward to help avoid pesky floor drains, available on TSF/TSS units.
- Optional NSF-listed commercial-grade hot/cold water faucet stands up to years of use and can be easily serviced from the front.
- Optional side splashes.
- Step up to a bartender prep sink for added functionality and drink making efficiency.



TOP SHELF DUMP SINKS
TS Series and TSF Series Sinks

MODEL NUMBERS - TS12DS, TSF12DS, TS18DS

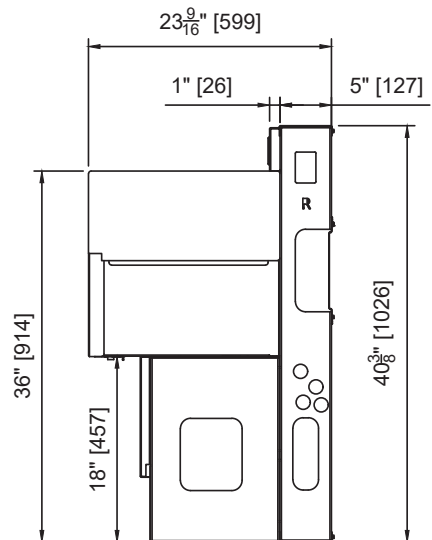
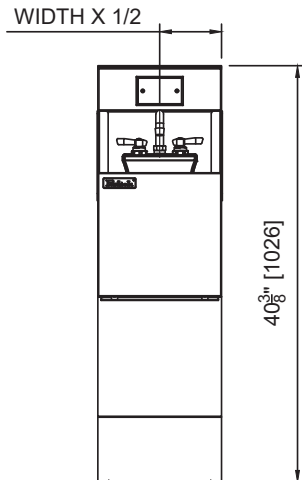
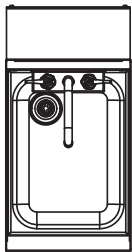
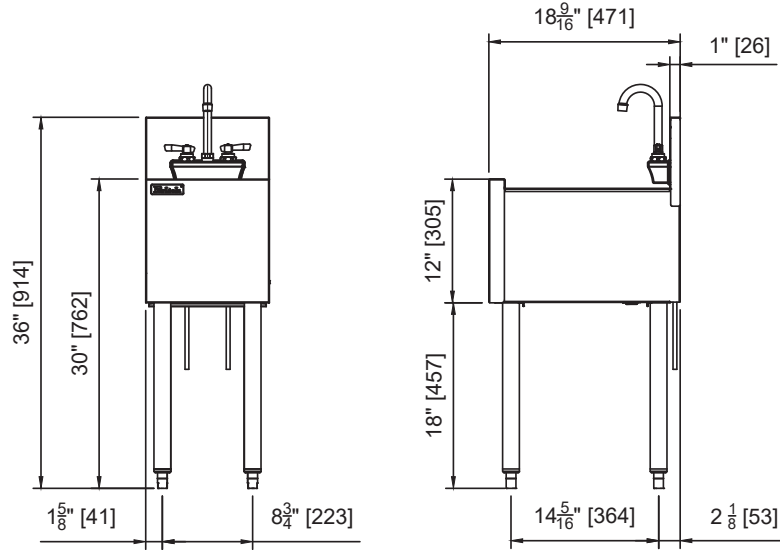
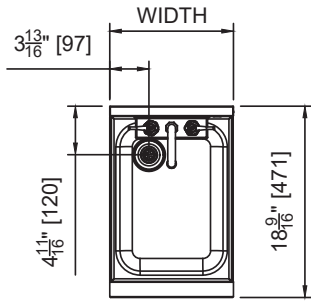
MODEL NOS.		TS12DS	TSF12DS	TS18DS
DIMENSIONS: EXTERIOR	Width In. (mm)	12" (305)	12" (305)	18" (457)
	Depth In. (mm)	18-9/16" (471)	24" (610)	18-9/16" (471)
	Weight lb. (kg)	45 (20)		
MATERIALS	Construction	All stainless steel		
	Top & Deck	18 gauge stainless steel		
	Front & Back	Seamless 18 gauge stainless steel		
	Backsplash	Stainless steel 6" high (4" high optional) with 1" return at the top, mechanically fastened and sealed to hand sink top.		
	Legs	1-5/8" tubular, stainless steel with 1" adjustable thermoplastic feet		
	Bowl	Drawn, 18 gauge stainless steel. All horizontal and vertical edges 1-1/2" radius with balled corners. Furnished with 1-1/2" stainless steel drain socket. 10"W x 14" front-to-back x 9" deep.		
	Water Faucet	Hot and cold, heavy-duty all brass construction, chrome plated swing spout faucet. Must be ordered separately.		
PLUMBING	Drain Connection	Drain connection: 1-1/2" NPS male		
	Water connection	1/2" IPS shanks and nuts. 18" braided water supply lines		
ACCESSORIES (PARTIAL LIST)		Wrist blades, touchless faucet, splash guards, speed rail, blender shelf, Perlick Flex Mount leg relocation kit (TSF Series)		



TOP SHELF DUMP SINKS
TS Series and TSF Series Sinks

MODEL NUMBERS - TS12DS, TSF12DS, TS18DS

TS12DS



Shown with optional faucet. Must be ordered separately.

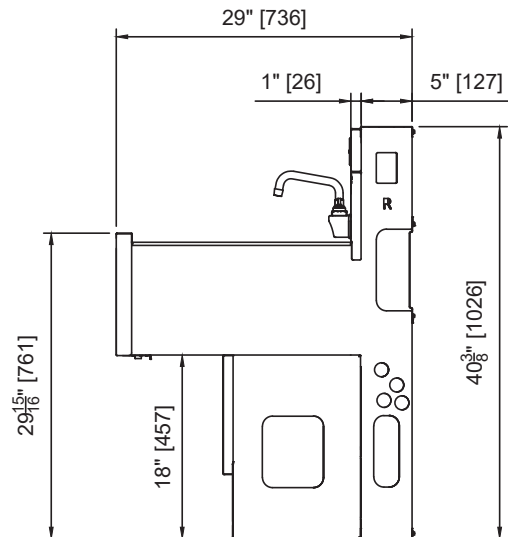
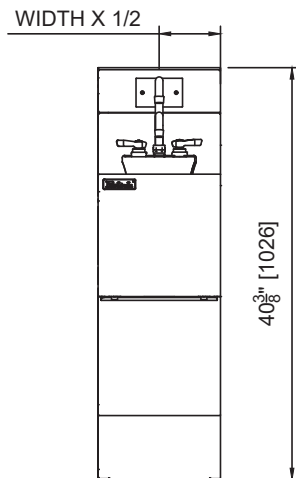
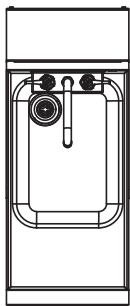
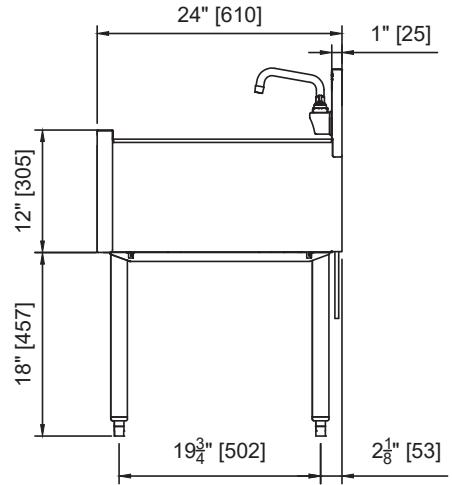
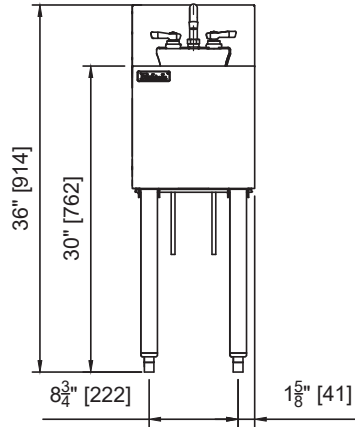
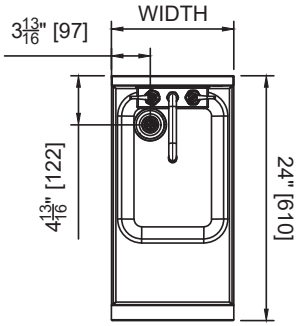
Form No. Z2968
 Rev. 12.06.23



TOP SHELF DUMP SINKS
TS Series and TSF Series Sinks

MODEL NUMBERS - TS12DS, TSF12DS, TS18DS

TSF12DS



Shown with optional faucet. Must be ordered separately.

Form No. Z2968
 Rev. 12.06.23