

"E1S8-1D" E-SERIES COMPARTMENT SINKS

1 Compartment w/1 Drain Board - 18GA S.S. w/Galvanized Legs

FEATURES:

- 18GA Stainless Steel
- Type 300 Stainless Steel w/#4 Polish, Satin Finish
- 12" Or 14" Deep Bowls
- All Corners, Both Vertical & Horizontal, Coved At 3/4" Radius
- Bottoms Of Bowls Formed For Drainage To 3-1/2" Diameter Die Stamped Opening
- Full Length 9-3/4" High Boxed Backsplash, w/2" Return To Wall At 45 Degree & 1" Tile Edge
- 1-1/8" Faucet Holes In Backsplash
- All Outside Corners Of Assembly Are Bullnosed To Provide Safe, Clean, & Polished Edge
- Standard Galvanized Legs 1-5/8" Diameter

SPECIFICATIONS:

- Top: Stainless Steel Sinks Are Tig Welded, Exposed Welds Are Polished To Match Adjacent Surface
- Base: Galvanized Steel
- Bowls & Top: 18GA Type 300 Stainless Steel w/#4 Polish, Satin Finish
- Legs: 1-5/8" Round O.D. Galvanized Steel
- Gussets: Galvanized Steel
- Feet: 1" Plastic Bullet Feet



E1S8-1824-14L24

CERTIFICATIONS:



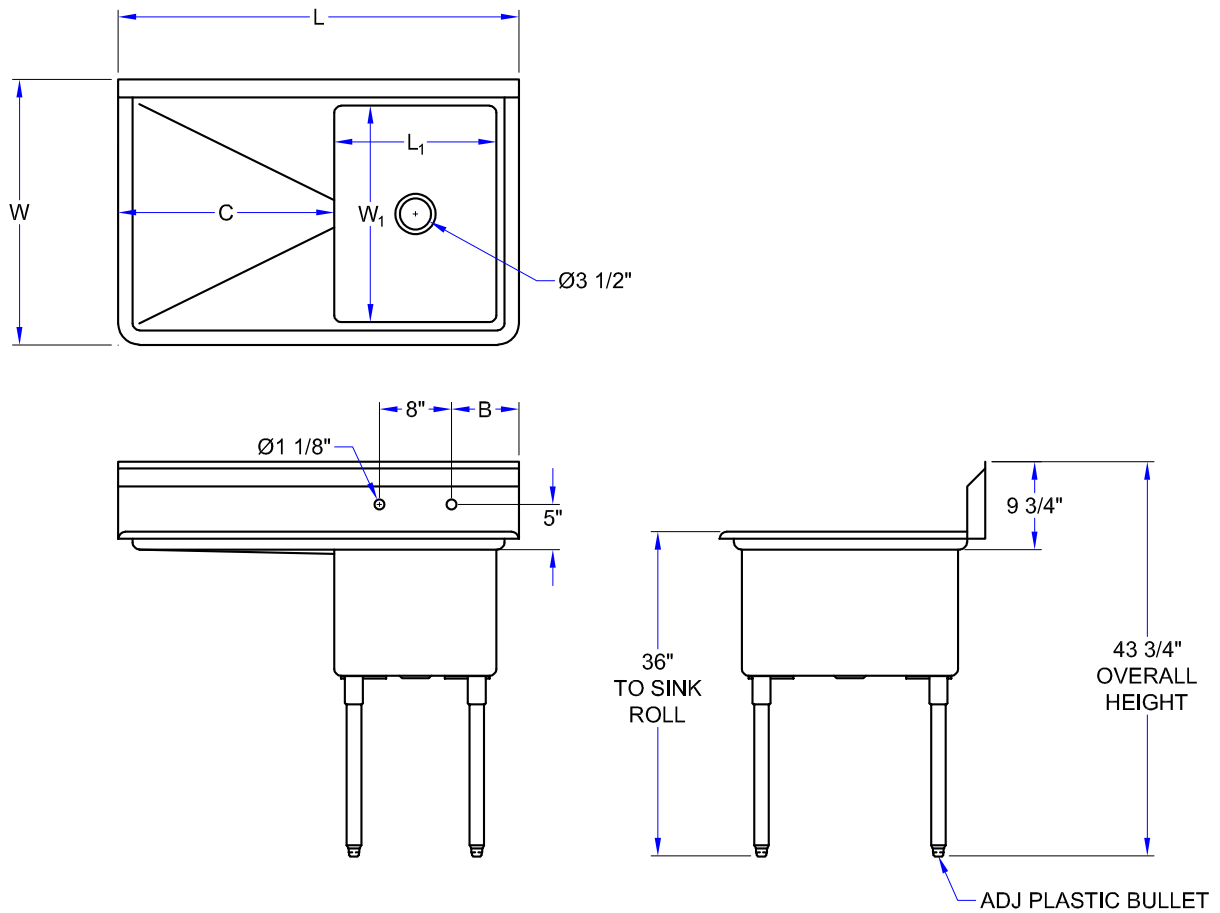
"E1S8-1D" E-SERIES COMPARTMENT SINKS

MODEL	BOWL DEPTH	OVERALL LENGTH (L)	OVERALL WIDTH (W)	INSIDE LENGTH (L')	INSIDE WIDTH (W')	A	B	C	WT. (LBS)
E1S8-1620-12L18/R18	12"	36-1/2"	25-1/2"	16"	20"	12-15/16"	6-1/2"	18"	47
E1S8-18-12L18/R18	12"	38-1/2"	23-1/5"	18"	18"	11-15/16"	7-1/2"	18"	47
E1S8-15-14L15/R15	14"	32-1/2"	20-1/2"	15"	15"	10-7/16"	6"	15"	36
E1S8-1824-14L24/R24	14"	44-1/2"	29-1/2"	18"	24"	14-15/16"	7-1/2"	24"	58
E1S8-24-14L24/R24	14"	50-1/2"	29-1/2"	24"	24"	14-15/16"	10-1/2"	24"	64

MUST SPECIFY LEFT (L) OR RIGHT (R) SIDE DRAIN BOARD

ALL DIMENSIONS ARE TYPICAL. TOLERANCE +/- .500". JOHN BOOS & CO. RESERVES THE RIGHT TO CHANGE SPECIFICATIONS WITHOUT NOTICE.

DETAILED SPECIFICATIONS



"E1S8" E-SERIES COMPARTMENT SINKS

MODEL	BOWL DEPTH	OVERALL LENGTH (L)	OVERALL WIDTH (W)	INSIDE LENGTH (L')	INSIDE WIDTH (W')	A	B	C	WT. (LBS)
E1S8-1620-12L18/R18	12"	36-1/2"	25-1/2"	16"	20"	12-15/16"	6-1/2"	18"	47
E1S8-18-12L18/R18	12"	38-1/2"	23-1/5"	18"	18"	11-15/16"	7-1/2"	18"	47
E1S8-15-14L15/R15	14"	32-1/2"	20-1/2"	15"	15"	10-7/16"	6"	15"	36
E1S8-1824-14L24/R24	14"	44-1/2"	29-1/2"	18"	24"	14-15/16"	7-1/2"	24"	58
E1S8-24-14L24/R24	14"	50-1/2"	29-1/2"	24"	24"	14-15/16"	10-1/2"	24"	64

MUST SPECIFY LEFT (L) OR RIGHT (R) SIDE DRAIN BOARD

ALL DIMENSIONS ARE TYPICAL. TOLERANCE +/- .500". JOHN BOOS & CO. RESERVES THE RIGHT TO CHANGE SPECIFICATIONS WITHOUT NOTICE.