

"E3S8-2D" E-SERIES COMPARTMENT SINKS

3 Compartment w/2 Drain Boards - 18GA S.S. w/Galvanized Legs

FEATURES:

- 18GA Stainless Steel
- Type 300 Stainless Steel w/#4 Polish, Satin Finish
- 10", 12", Or 14" Deep Bowls
- All Corners, Both Vertical & Horizontal, Coved At 3/4" Radius
- Bottoms Of Bowls Formed For Drainage To 3-1/2" Diameter Die Stamped Opening
- Full Length 9-3/4" High Boxed Backsplash, w/2" Return To Wall At 45 Degree & 1" Tile Edge
- 1-1/8" Faucet Holes In Backsplash
- All Outside Corners Of Assembly Are Bullnosed To Provide Safe, Clean, & Polished Edge
- Standard Stainless Steel Legs 1-5/8" Diameter

SPECIFICATIONS:

- Top: Stainless Steel Sinks Are Tig Welded, Exposed Welds Are Polished To Match Adjacent Surface
- Base: Galvanized Base
- Bowls & Top: 18GA Type 300 Stainless Steel w/#4 Polish, Satin Finish
- Legs: 1-5/8" Round O.D. Galvanized Steel
- Gussets: Galvanized Steel
- Feet: 1" Adjustable Plastic Bullet Feet



E3S8-24-14

CERTIFICATIONS:



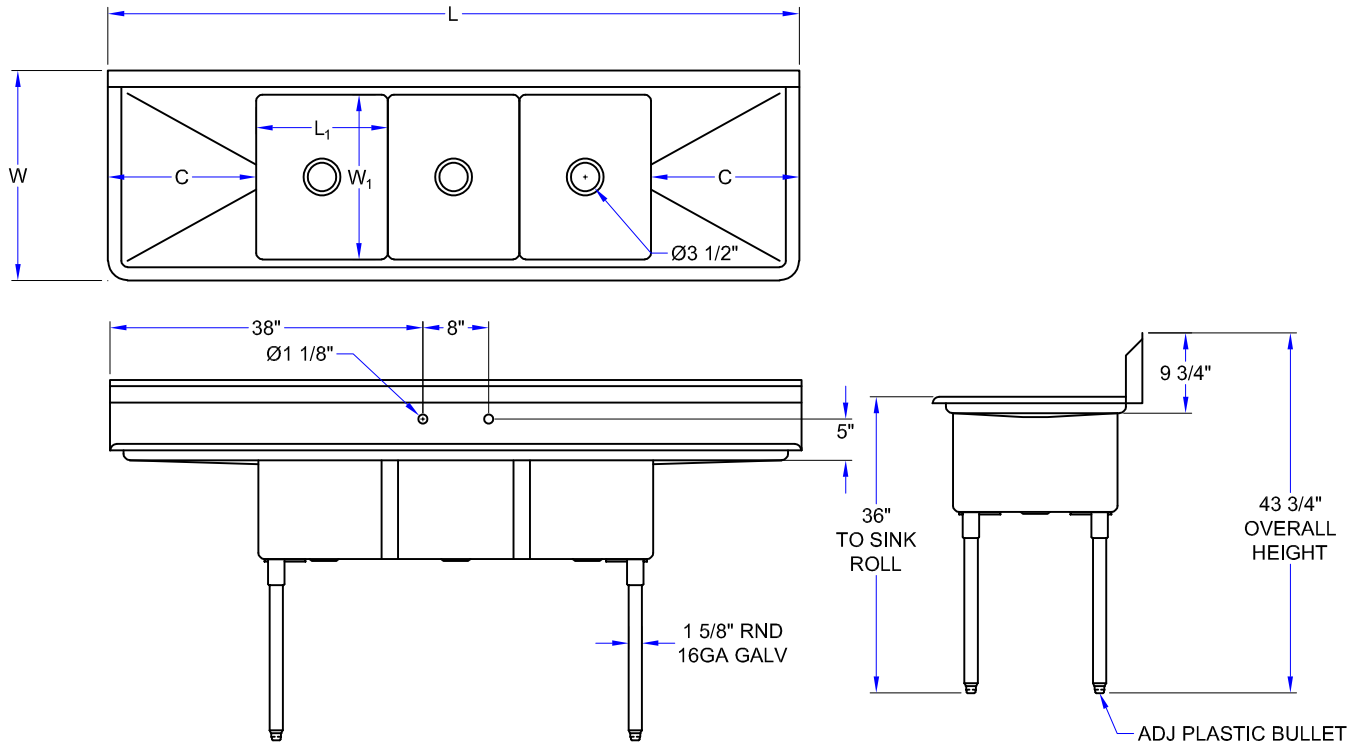
"E3S8-2D" E-SERIES COMPARTMENT SINKS

| MODEL | BOWL DEPTH | OVERALL LENGTH (L) | OVERALL WIDTH (W) | INSIDE LENGTH (L') | INSIDE WIDTH (W') | A | B | C | WT. (LBS) |
|-----------------|------------|--------------------|-------------------|--------------------|-------------------|-----------|---------|-----|-----------|
| E3S8-1014-10T15 | 10" | 60" | 19-1/2" | 10" | 14" | 9-15/16" | 26" | 15" | 61 |
| E3S8-1220-12T12 | 12" | 60" | 25-1/2" | 12" | 20" | 12-15/16" | 26" | 12" | 78 |
| E3S8-1416-12T12 | 12" | 66" | 21-1/2" | 14" | 16" | 10-15/16" | 29" | 12" | 75 |
| E3S8-1620-12T18 | 12" | 84" | 25-1/2" | 16" | 20" | 12-15/16" | 38" | 18" | 95 |
| E3S8-18-12T18 | 12" | 90" | 23-1/2" | 18" | 18" | 11-15/16" | 41" | 18" | 95 |
| E3S8-15-14T15 | 14" | 75" | 20-1/2" | 15" | 15" | 10-7/16" | 33-1/2" | 15" | 83 |
| E3S8-1620-14T18 | 14" | 84" | 25-1/2" | 16" | 20" | 12-15/16" | 38" | 18" | 100 |
| E3S8-18-14T18 | 14" | 90" | 23-1/2" | 18" | 18" | 11-15/16" | 41" | 18" | 101 |
| E3S8-18-14T24 | 14" | 102" | 23-1/2" | 18" | 18" | 11-15/16" | 47" | 24" | 107 |
| E3S8-1824-14T24 | 14" | 102" | 29-1/2" | 18" | 24" | 14-15/16" | 47" | 24" | 123 |
| E3S8-24-14T24 * | 14" | 120" | 29-1/2" | 24" | 24" | 14-15/16" | 44" | 24" | 140 |
| E3S8-2030-14T24 | 14" | 108" | 35-1/2" | 20" | 30" | 17-15/16" | 50" | 24" | 145 |

MUST SPECIFY LEFT (L) OR RIGHT (R) SIDE DRAIN BOARD, *HAS TWO SETS OF FAUCET HOLES

ALL DIMENSIONS ARE TYPICAL. TOLERANCE +/- .500". JOHN BOOS & CO. RESERVES THE RIGHT TO CHANGE SPECIFICATIONS WITHOUT NOTICE.

DETAILED SPECIFICATIONS



"E3S8-2D" E-SERIES COMPARTMENT SINKS

| MODEL | BOWL DEPTH | OVERALL LENGTH (L) | OVERALL WIDTH (W) | INSIDE LENGTH (L') | INSIDE WIDTH (W') | A | B | C | WT. (LBS) |
|-----------------|------------|--------------------|-------------------|--------------------|-------------------|-----------|---------|-----|-----------|
| E3S8-1014-10T15 | 10" | 60" | 19-1/2" | 10" | 14" | 9-15/16" | 26" | 15" | 61 |
| E3S8-1220-12T12 | 12" | 60" | 25-1/2" | 12" | 20" | 12-15/16" | 26" | 12" | 78 |
| E3S8-1416-12T12 | 12" | 66" | 21-1/2" | 14" | 16" | 10-15/16" | 29" | 12" | 75 |
| E3S8-1620-12T18 | 12" | 84" | 25-1/2" | 16" | 20" | 12-15/16" | 38" | 18" | 95 |
| E3S8-18-12T18 | 12" | 90" | 23-1/2" | 18" | 18" | 11-15/16" | 41" | 18" | 95 |
| E3S8-15-14T15 | 14" | 75" | 20-1/2" | 15" | 15" | 10-7/16" | 33-1/2" | 15" | 83 |
| E3S8-1620-14T18 | 14" | 84" | 25-1/2" | 16" | 20" | 12-15/16" | 38" | 18" | 100 |
| E3S8-18-14T18 | 14" | 90" | 23-1/2" | 18" | 18" | 11-15/16" | 41" | 18" | 101 |
| E3S8-18-14T24 | 14" | 102" | 23-1/2" | 18" | 18" | 11-15/16" | 47" | 24" | 107 |
| E3S8-1824-14T24 | 14" | 102" | 29-1/2" | 18" | 24" | 14-15/16" | 47" | 24" | 123 |
| E3S8-24-14T24 * | 14" | 120" | 29-1/2" | 24" | 24" | 14-15/16" | 44" | 24" | 140 |
| E3S8-2030-14T24 | 14" | 108" | 35-1/2" | 20" | 30" | 17-15/16" | 50" | 24" | 145 |

MUST SPECIFY LEFT (L) OR RIGHT (R) SIDE DRAIN BOARD, *HAS TWO SETS OF FAUCET HOLES

ALL DIMENSIONS ARE TYPICAL. TOLERANCE +/- .500". JOHN BOOS & CO. RESERVES THE RIGHT TO CHANGE SPECIFICATIONS WITHOUT NOTICE.