

# "E3S8-2D" E-SERIES COMPARTMENT SINKS

## 3 Compartment w/2 Drain Boards - 18GA S.S. w/Galvanized Legs

**FEATURES:**

- 18GA Stainless Steel
- Type 300 Stainless Steel w/#4 Polish, Satin Finish
- 10", 12", Or 14" Deep Bowls
- All Corners, Both Vertical & Horizontal, Coved At 3/4" Radius
- Bottoms Of Bowls Formed For Drainage To 3-1/2" Diameter Die Stamped Opening
- Full Length 9-3/4" High Boxed Backsplash, w/2" Return To Wall At 45 Degree & 1" Tile Edge
- 1-1/8" Faucet Holes In Backsplash
- All Outside Corners Of Assembly Are Bullnosed To Provide Safe, Clean, & Polished Edge
- Standard Stainless Steel Legs 1-5/8" Diameter

**SPECIFICATIONS:**

- Top: Stainless Steel Sinks Are Tig Welded, Exposed Welds Are Polished To Match Adjacent Surface
- Base: Galvanized Base
- Bowls & Top: 18GA Type 300 Stainless Steel w/#4 Polish, Satin Finish
- Legs: 1-5/8" Round O.D. Galvanized Steel
- Gussets: Galvanized Steel
- Feet: 1" Adjustable Plastic Bullet Feet



E3S8-24-14

**CERTIFICATIONS:**



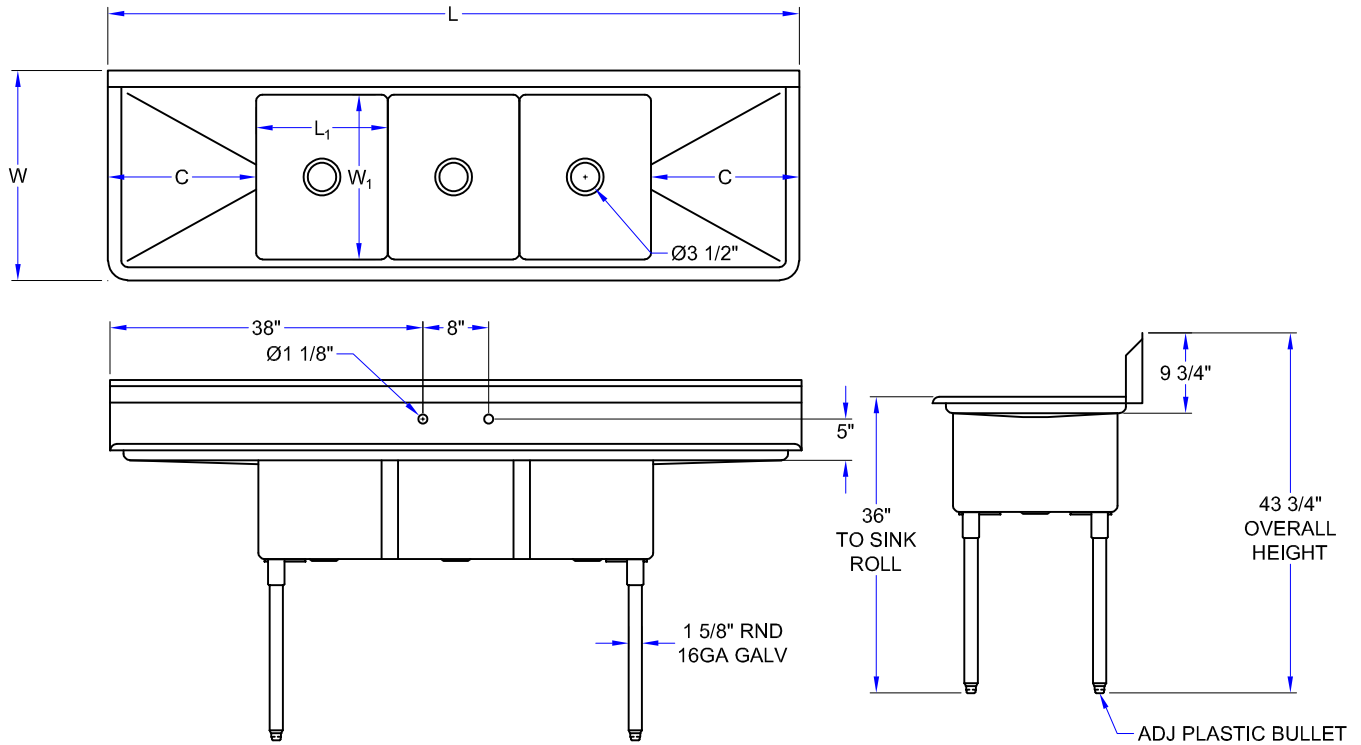
### "E3S8-2D" E-SERIES COMPARTMENT SINKS

MODEL	BOWL DEPTH	OVERALL LENGTH (L)	OVERALL WIDTH (W)	INSIDE LENGTH (L')	INSIDE WIDTH (W')	A	B	C	WT. (LBS)
E3S8-1014-10T15	10"	60"	19-1/2"	10"	14"	9-15/16"	26"	15"	61
E3S8-1220-12T12	12"	60"	25-1/2"	12"	20"	12-15/16"	26"	12"	78
E3S8-1416-12T12	12"	66"	21-1/2"	14"	16"	10-15/16"	29"	12"	75
E3S8-1620-12T18	12"	84"	25-1/2"	16"	20"	12-15/16"	38"	18"	95
E3S8-18-12T18	12"	90"	23-1/2"	18"	18"	11-15/16"	41"	18"	95
E3S8-15-14T15	14"	75"	20-1/2"	15"	15"	10-7/16"	33-1/2"	15"	83
E3S8-1620-14T18	14"	84"	25-1/2"	16"	20"	12-15/16"	38"	18"	100
E3S8-18-14T18	14"	90"	23-1/2"	18"	18"	11-15/16"	41"	18"	101
E3S8-18-14T24	14"	102"	23-1/2"	18"	18"	11-15/16"	47"	24"	107
E3S8-1824-14T24	14"	102"	29-1/2"	18"	24"	14-15/16"	47"	24"	123
E3S8-24-14T24 *	14"	120"	29-1/2"	24"	24"	14-15/16"	44"	24"	140
E3S8-2030-14T24	14"	108"	35-1/2"	20"	30"	17-15/16"	50"	24"	145

**MUST SPECIFY LEFT (L) OR RIGHT (R) SIDE DRAIN BOARD, \*HAS TWO SETS OF FAUCET HOLES**

ALL DIMENSIONS ARE TYPICAL. TOLERANCE +/- .500". JOHN BOOS & CO. RESERVES THE RIGHT TO CHANGE SPECIFICATIONS WITHOUT NOTICE.

# DETAILED SPECIFICATIONS



## "E3S8-2D" E-SERIES COMPARTMENT SINKS

MODEL	BOWL DEPTH	OVERALL LENGTH (L)	OVERALL WIDTH (W)	INSIDE LENGTH (L')	INSIDE WIDTH (W')	A	B	C	WT. (LBS)
E3S8-1014-10T15	10"	60"	19-1/2"	10"	14"	9-15/16"	26"	15"	61
E3S8-1220-12T12	12"	60"	25-1/2"	12"	20"	12-15/16"	26"	12"	78
E3S8-1416-12T12	12"	66"	21-1/2"	14"	16"	10-15/16"	29"	12"	75
E3S8-1620-12T18	12"	84"	25-1/2"	16"	20"	12-15/16"	38"	18"	95
E3S8-18-12T18	12"	90"	23-1/2"	18"	18"	11-15/16"	41"	18"	95
E3S8-15-14T15	14"	75"	20-1/2"	15"	15"	10-7/16"	33-1/2"	15"	83
E3S8-1620-14T18	14"	84"	25-1/2"	16"	20"	12-15/16"	38"	18"	100
E3S8-18-14T18	14"	90"	23-1/2"	18"	18"	11-15/16"	41"	18"	101
E3S8-18-14T24	14"	102"	23-1/2"	18"	18"	11-15/16"	47"	24"	107
E3S8-1824-14T24	14"	102"	29-1/2"	18"	24"	14-15/16"	47"	24"	123
E3S8-24-14T24 *	14"	120"	29-1/2"	24"	24"	14-15/16"	44"	24"	140
E3S8-2030-14T24	14"	108"	35-1/2"	20"	30"	17-15/16"	50"	24"	145

**MUST SPECIFY LEFT (L) OR RIGHT (R) SIDE DRAIN BOARD, \*HAS TWO SETS OF FAUCET HOLES**

ALL DIMENSIONS ARE TYPICAL. TOLERANCE +/- .500". JOHN BOOS & CO. RESERVES THE RIGHT TO CHANGE SPECIFICATIONS WITHOUT NOTICE.