

## "E3S8-1D" E-SERIES COMPARTMENT SINKS

### 3 Compartment w/1 Drain Board - 18GA S.S. w/Galvanized Legs

#### FEATURES:

- 18GA Stainless Steel
- Type 300 Stainless Steel w/#4 Polish, Satin Finish
- 10", 12", Or 14" Deep Bowls
- All Corners, Both Vertical & Horizontal, Coved At 3/4" Radius
- Bottoms Of Bowls Formed For Drainage To 3-1/2" Diameter Die Stamped Opening
- Full Length 9-3/4" High Boxed Backsplash, w/2" Return To Wall At 45 Degree & 1" Tile Edge
- 1-1/8" Faucet Holes In Backsplash
- All Outside Corners Of Assembly Are Bullnosed To Provide Safe, Clean, & Polished Edge
- Standard Stainless Steel Legs 1-5/8" Diameter

#### SPECIFICATIONS:

- Top: Stainless Steel Sinks Are Tig Welded, Exposed Welds Are Polished To Match Adjacent Surface
- Base: Galvanized Base
- Bowls & Top: 18GA Type 300 Stainless Steel w/#4 Polish, Satin Finish
- Legs: 1-5/8" Round O.D. Galvanized Steel
- Gussets: Galvanized Steel
- Feet: 1" Adjustable Plastic Bullet Feet



E3S8-1824-14R24

#### CERTIFICATIONS:



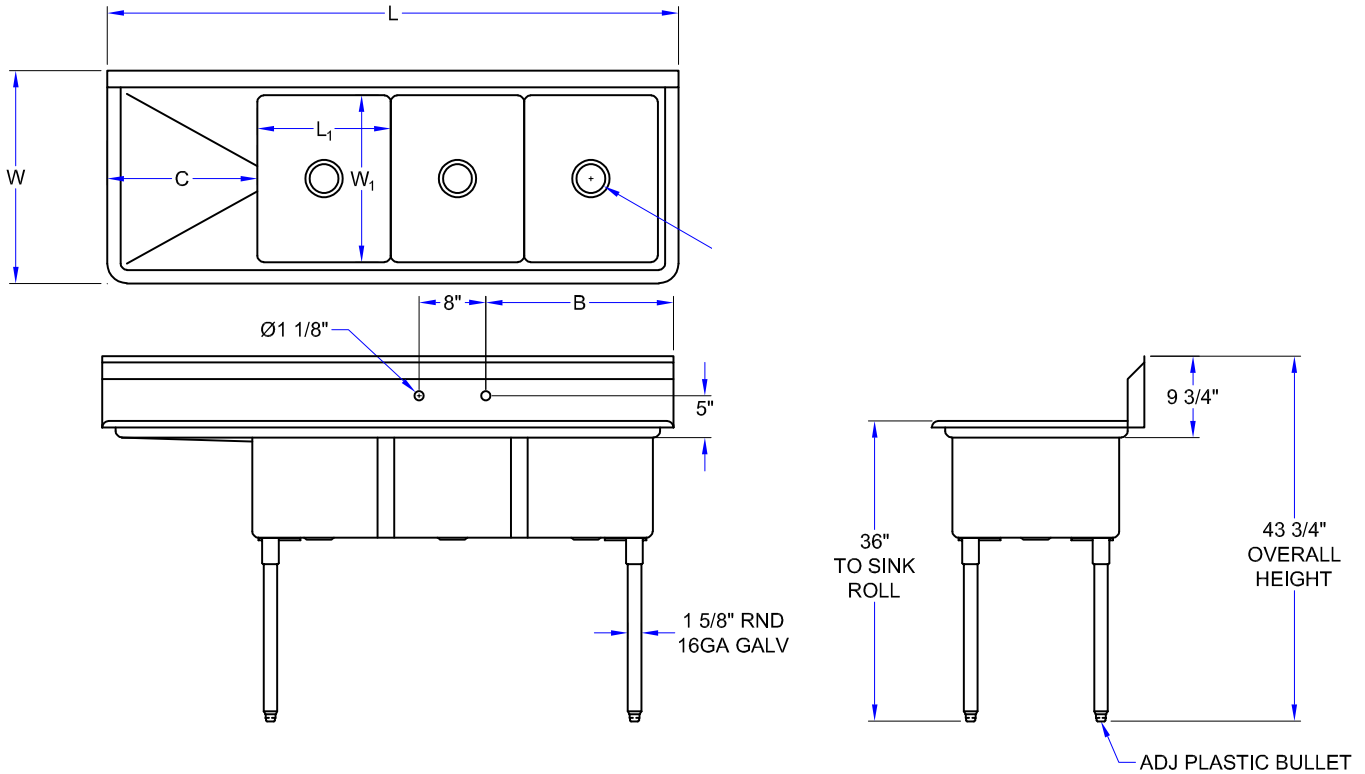
## "E3S8-1D" E-SERIES COMPARTMENT SINKS

MODEL	BOWL DEPTH	OVERALL LENGTH (L)	OVERALL WIDTH (W)	INSIDE LENGTH (L')	INSIDE WIDTH (W')	A	B	C	D	WT. (LBS)
E3S8-1014-10L15/R15	10"	47-1/2"	19-1/2"	10"	14"	9-15/16"	13-1/2"	15"	-	60
E3S8-1620-12L18/R18	12"	68-1/2"	25-1/2"	16"	20"	12-15/16"	22-1/2"	18"	-	87
E3S8-18-12L18/R18	12"	74-1/2"	23-1/2"	18"	18"	11-15/16"	25-1/2"	18"	-	88
E3S8-15-14L15/R15	14"	62-1/2"	20-1/2"	15"	15"	10-7/16"	21"	15"	-	78
E3S8-1824-14L24/R24	14"	80-1/2"	29-1/2"	18"	24"	14-15/16"	25-1/2"	24"	-	111
E3S8-24-14L24/R24 *	14"	98-1/2"	29-1/2"	24"	24"	14-15/16"	22-1/2"	24"	16"	128

**MUST SPECIFY LEFT (L) OR RIGHT (R) SIDE DRAIN BOARD, \*HAS TWO SETS OF FAUCET HOLES**

ALL DIMENSIONS ARE TYPICAL. TOLERANCE +/- .500". JOHN BOOS & CO. RESERVES THE RIGHT TO CHANGE SPECIFICATIONS WITHOUT NOTICE.

# DETAILED SPECIFICATIONS



## "E3S8-1D" E-SERIES COMPARTMENT SINKS

MODEL	BOWL DEPTH	OVERALL LENGTH (L)	OVERALL WIDTH (W)	INSIDE LENGTH (L')	INSIDE WIDTH (W')	A	B	C	WT. (LBS)
E3S8-1014-10L15/R15	10"	47-1/2"	19-1/2"	10"	14"	9-15/16"	13-1/2"	15"	60
E3S8-1620-12L18/R18	12"	68-1/2"	25-1/2"	16"	20"	12-15/16"	22-1/2"	18"	87
E3S8-18-12L18/R18	12"	74-1/2"	23-1/2"	18"	18"	11-15/16"	25-1/2"	18"	88
E3S8-15-14L15/R15	14"	62-1/2"	20-1/2"	15"	15"	10-7/16"	21"	15"	78
E3S8-1824-14L24/R24	14"	80-1/2"	29-1/2"	18"	24"	14-15/16"	25-1/2"	24"	111
E3S8-24-14L24/R24 *	14"	98-1/2"	29-1/2"	24"	24"	14-15/16"	22-1/2"	24"	128

**MUST SPECIFY LEFT (L) OR RIGHT (R) SIDE DRAIN BOARD, \*HAS TWO SETS OF FAUCET HOLES**

ALL DIMENSIONS ARE TYPICAL. TOLERANCE +/- .500". JOHN BOOS & CO. RESERVES THE RIGHT TO CHANGE SPECIFICATIONS WITHOUT NOTICE.