

SCN60 – 60 lb Nugget Ice Machine

Brilliance® Under-Counter Nugget Ice Machine



model shown is SCN60PA-1SS

Features

- 15" cabinet width, produces up to 80 lbs. of nugget ice in 24 hours
- Uses 40% less energy and more than 50% less water than dedicated cube ice machines
- Accepts custom wood panel to match surrounding cabinetry
- Approved for indoor or outdoor use
- Lighted bin
- Concealed hinge system
- User-friendly control panel informs whether power is on, alerts a no-water condition, and a time to clean reminder
- Available with built-in drain pump
- Field reversible door
- **Protected with AgION®, a silver-based antimicrobial compound molded into key ice machine components in order to guard internal surfaces between cleanings.**

24 Hour Ice Production & Storage Capacity

70°F/21°C Air 50°F/10°C Water lb / kg	90°F/32°C Air 70°F/21°C Water lb / kg	Bin Storage Capacity lb / kg
85 / 39	60 / 27	26 / 12



Control Board



Scoop



Nugget Ice

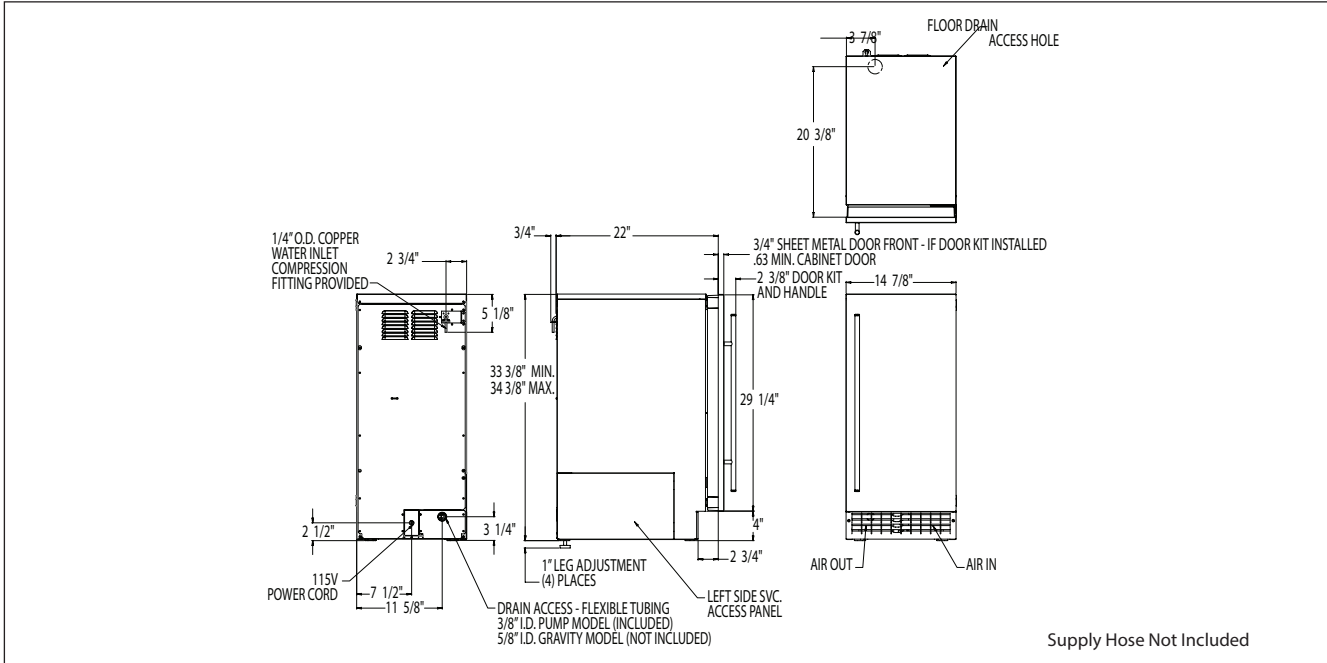


The Original Chewable Ice™.
Soft ice ideal for beverages
and blended drinks.

Warranty

- 2 years parts and labor on all components.
- 5 years parts on the compressor only.

Warranty valid in North America.



All Models

24 Hour Ice Production:
(70 deg. Air / 50 deg. Water)
80 lb / 39 kg
(90 deg. Air / 70 Deg. Water)
60 lb / 27 kg

Bin Storage Capacity:
26 lb / 12 kg

Condenser Type:
Air

Basic Electrical:
(Volts/Hz/Phase)
115/60/1

Amps:
5

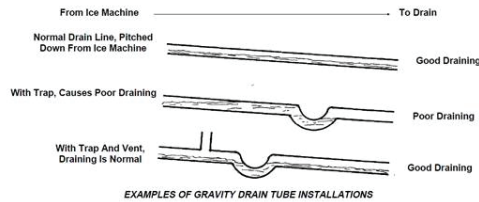
Refrigerant:
R-134A

Dimensions (W x D x H):
Unit (without legs adjusted):
14.875" x 22" x 33.375"
(37.8 x 57.8 x 84.78 cm)

Shipping Carton:
18" x 28" x 38"
(45.7 x 71.1 x 96.5 cm)

Specifications

Model	Finish Cabinet / Front	Drain Type	Shipping Weight lb / kg
SCN60GA-1SU	Stainless Steel / Unfinished	Gravity	124 / 56
SCN60GA-1SS	Stainless Steel / Stainless Steel	Gravity	133 / 60
SCN60PA-1SU	Stainless Steel / Unfinished	Pump	129 / 59
SCN60PA-1SS	Stainless Steel / Stainless Steel	Pump	135 / 61



SCNG: Gravity flow drain tube
SCNP: Built-in pump to expel drain water which includes 10' drain tube

Accessories

Model	Description	Shipping Weight lb / kg
KDFS	Stainless Steel Door Front Kit	12 / 5.5
KATB	Anti-Tip Bracket Kit	2 / 0.9
KDFR	Retro-Fit Door Front Kit	8 / 3.6

Operating Requirements

	Minimum	Maximum
Air Temperatures	50°F (10°C)	100°F (38°C)
Water Temperatures	40°F (4.4°C)	90°F (38°C)
Water Pressures	20 PSIG (1 bar)	80 PSIG (5 bar)
Electrical Voltage	-10%	+10%

Machine requires voltage indicated on rating name plate. Failures caused by improper voltage are not considered factory defects. Scotsman products, except model SCCG50MB-1SS & SCCP50MB-1SS, SCN60 are not designed for outdoor installations nor for installation where air temperatures fall below 50°F. or exceed 100°F., nor where water temperatures fall below 40°F. or exceed 100°F. Extended periods of operation at temperatures exceeding these limitations constitute misuse under the terms of Scotsman Manufacturer's Limited Warranty, resulting in a loss of warranty coverage. Refer to owner's manual for all installation requirements. Please note: when installed in a corner, the door swing may be limited due to handle contact with the wall or cabinet face.