



PROJECT: \_\_\_\_\_  
 LOCATION: \_\_\_\_\_  
 ITEM#: \_\_\_\_\_  
 QUANTITY: \_\_\_\_\_

**COMPETITOR SERIES®**



C-R02B-24GL-NG

C-R04B-12GL-NG

C-R04B-24GL-NG

C-R06B-24GL-NG

# RANGES WITH GRIDDLES (NATURAL GAS)

- High polished, stainless steel exterior
- 32,000 BTU/H rating per burner
- Heavy duty cast iron removable trivets
- Porcelain enamel over steel oven interior
- 3/4" thick polished steel griddle cooking surface for quick, even heating
- Beautiful ergonomic design and easy to clean
- Chrome temperature knobs & oven handle
- Adjustable temperature oven knobs
- Standard with 6" casters (2x locking)
- Adjustable oven shelf
- Safety pilot oven shut-off, high limit switch
- Manual ignition of burners
- Valve type: Pilot lit, continuously on
- All burners and gas tubing are constructed of stainless steel
- Migali Industries® Protection Plan: 2 Year Parts & Labor Warranty

MODEL	BURNERS	TOTAL BTU	BTU PER BURNER	OVEN BTU/H	GRIDDLE BTU/H	IN TAKE TUBE PRESSURE (W.C.)	NOZZLE NO. NATURAL GAS	GRIDDLE WORK SURFACE W X D	BURNER WORK SURFACE W X D	NO. OF OVENS & INTERIOR DIMENSIONS W X D X H	EXTERIOR DIMENSIONS W X D X H*	PACKAGED DIMENSIONS W X D X H	WEIGHT	PACKAGED WEIGHT
C-R02B-24GL-NG	2	139,000	32,000	27,000	(1) U-Shape - 27,000 (1) I-Shape - 21,000	5	(2) Hotplate - NG45 (1) Oven - NG39 (1) Griddle U Shape - NG42 (1) Griddle I Shape - NG45	24 x 20.6 Left Side	11.8 x 11.8	(1) Oven 26.5 x 26 x 14	36 x 32.6 x 56.4	39.2 x 41.9 x 41.3	463 lbs.	600 lbs.
C-R04B-12GL-NG	4	176,000	32,000	27,000	(1) I-Shape - 21,000	5	(4) Hotplate - NG45 (1) Oven - NG39 (1) Griddle I Shape - NG45	12 x 20.6 Left Side	11.8 x 11.8	(1) Oven 26.5 x 26 x 14	36 x 32.6 x 56.4	39.2 x 41.9 x 41.3	437 lbs.	583 lbs.
C-R04B-24GL-NG	4	224,000	32,000	(2) Ovens / Each - 24,000	(1) U-Shape - 27,000 (1) I-Shape - 21,000	5	(4) Hotplate - NG45 (2) Oven - NG44 (1) Griddle U Shape - NG42 (1) Griddle I shape - NG45	24 x 20.6 Left Side	11.8 x 11.8	(2) Ovens 20 x 26 x 14	48 x 32.6 x 56.4	51.2 x 41.9 x 41.3	591 lbs.	803 lbs.
C-R06B-24GL-NG	6	294,000	32,000	(2) Ovens / Each - 27,000	(1) U-Shape - 27,000 (1) I-Shape - 21,000	5	(6) Hotplate - NG45 (2) Oven - NG39 (1) Griddle U Shape - NG42 (1) Griddle I shape - NG45	24 x 20.6 Left Side	11.8 x 11.8	(2) Ovens 26.5 x 26 x 14	60 x 32.6 x 56.4	63.2 x 41.9 x 41.3	734 lbs.	927 lbs.

\*Total height with stainless steel back splash and top shelf

NOTE: Altitudes over 2,000 feet may need high latitude orifice adjustments to deliver BTU output listed

**FOR COMMERCIAL USE ONLY**

NOTE: MIGALI® RESERVES THE RIGHT TO CHANGE SPECIFICATIONS WITHOUT NOTICE

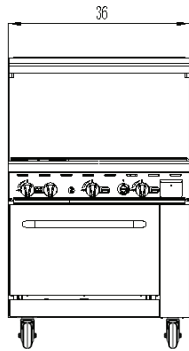


TOLL FREE: 800.852.5292  
 WEB: www.migali.com

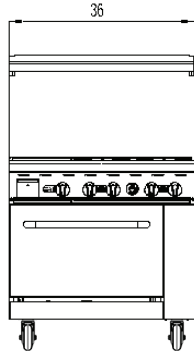


# DIMENSIONAL DRAWINGS

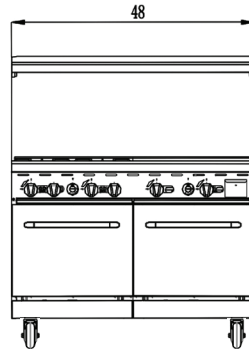
C-RO2B-24GL-NG



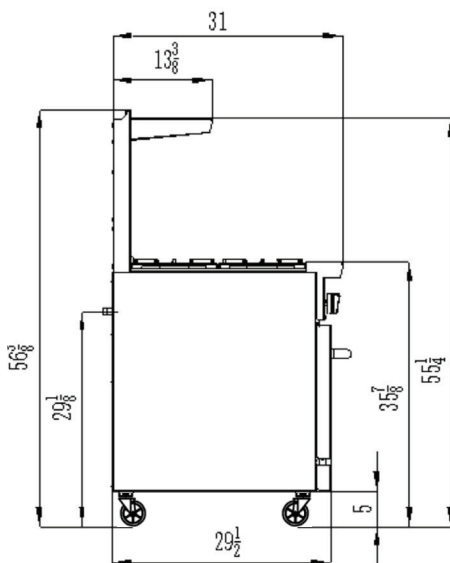
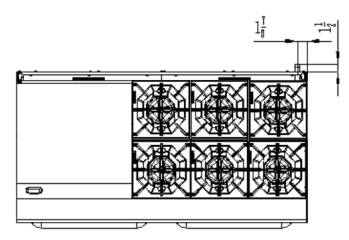
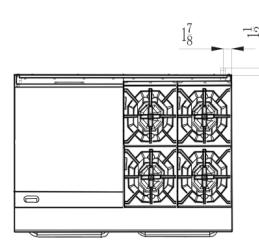
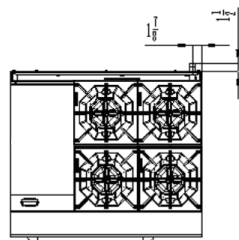
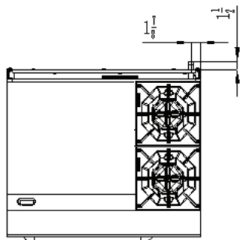
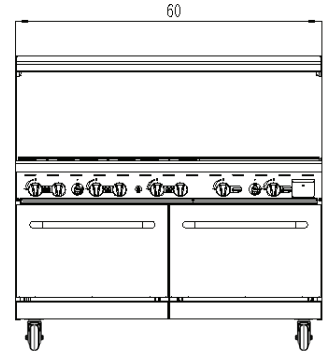
C-RO4B-12GL-NG



C-RO4B-24GL-NG



C-RO6B-24GL-NG



SIDE VIEW



MIGALI® REMAINS AN AMERICAN FAMILY COMPANY SINCE 1955